

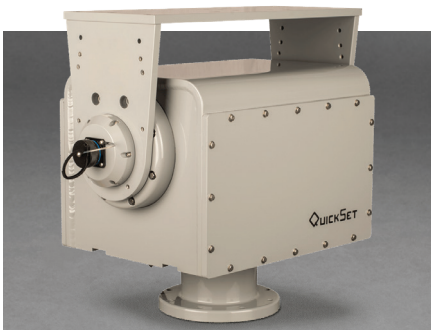
PAN & TILT POSITIONERS

IMAGE COURTESY OF: SPIRE GLOBAL, INC.



MPT-500

PAN & TILT POSITIONER



The MPT Positioner Series leverages the strength and reliability of Quickset legacy products and is improved with an enhanced electronics package offering new advantages to mission critical applications.

MPT Positioners are equipped with an integrated Health and Usage Monitoring System (HUMS). This provides intelligence to users regarding the condition of payloads, allowing for preventative maintenance

to extend the life of critical equipment. An embedded web server enables easy discovery and control of all positioners and integrated components on a network thereby eliminating the need for 3rd party software. Expanded velocity control offers the MPT finer resolution of speed and acceleration control, ultimately improving tracking and scaling applications. Users will enjoy the capacity of multiple configurable communication ports for convenient payload integration and communication.

KEY FEATURES

- Payloads up to 1260 lbs, tilt torque up to 500 lb-ft. (678 Nm)
- Welded aluminum housing and hardened steel gearing for durability in harsh environment
- Embedded web server
- Two GigE pass-through wiring paths direct to payload
- Health and usage monitoring
- Serial (up to 99Hz) or Serial over IP control
- Multiple payload communication ports: 4 configurable serial, 2 TTL and 1 IP port
- 10-bit linear response velocity control
- GPS capability
- Marine configuration that meets IP67 standards



QUICKSET[®]
Defense Technologies, LLC

MPT-500

SPECIFICATIONS

APPLICABLE MODEL: 8-DA166 PERFORMANCE

Payload Ports	2
Payload Capacity	1260 lbs. (571.5 KG)
Pan Range Of Motion	Non-Continuous Rotation (+/- 217.5°)
Pan Speed Range	0.001° - 20.0 °/SEC
Pan Repeatability	0.05°
Tilt Payload Torque	500 FT-LBS. (677.9 NM)
Tilt Range Of Motion	180° (+/- 90°)
Tilt Speed Range	0.001° - 4.0 °/SEC
Tilt Repeatability	0.05°
Positioning Resolution	0.01°
Position Feedback	Incremental Magnetic Encoder On Each Axis Of Motion
Hard Limits (Mechanically ADJ.)	Hard Limit Switches: Both Axes Motor Disable Limit Switches: Both Axes
Soft Limits (Software ADJ.)	Both Axes

FEATURE SPECIFICATIONS

POWER

Operating Voltage	48 Vdc (+4, -0)	
System Power	Idle (Heaters Off): 0.5 A Continuous (Heaters Off): 6.3 A Peak (Heaters Off): 7.7 A Continuous (Heaters On): 9.0 A Peak (Heaters On): 10.4 A In-Rush: 28.0 A < 15.0 Milliseconds	
Available Payload Power From Positioner Control Board (Payload Ports)	Payload Power Connection = 3 Amps Each (Max.) (Each Power Connection From Positioner Control Board Is Rated For A Maximum Of 3 Amps At Each Regulated Voltage) Voltage Regulated Power (5v, 12v, 24v) = 5 Amps Each (Max.) Total Board Power = 8 Amps Max. (All Combined Payloads)	
Analog Lens Control (Regulated By MPT Board)	Port #1	Focus Control - 12vdc, 1Amp (Maximum) Zoom Control - 12Vdc, 1Amp (Maximum)
	Port #2	Focus Control - 12vdc, 1Amp (Maximum) Zoom Control - 12Vdc, 1Amp (Maximum)
Direct Pass-Through Payload Power (Port #1 & Port #2)	Two Circuits (Four Conductor) 10.0 Amps Each (Max.)	

COMMUNICATION

Communication Interface (For Positioner Control)	Base	RS232/422/485 Ethernet 10/100 Base-T
	Port #1	RS232/422/485
	Port #2	RS232/422
Communication Method To Payload	Direct Pass-Through Connection Virtual Pass-Through Using IP Connection Tunnel Using Serial / IP Connection	
Protocol	Quickset Ptz Protocol Pelco D (Limited)	
Ethernet Pass Through Wiring	Port #1	1000 Mb/S
	Port #2	1000 Mb/S
Video Pass Through Wiring	Port #1	HD-SDI Video
	Port #2	HD-SDI Video
Radio Frequency (RF) Pass Through Wiring	None	

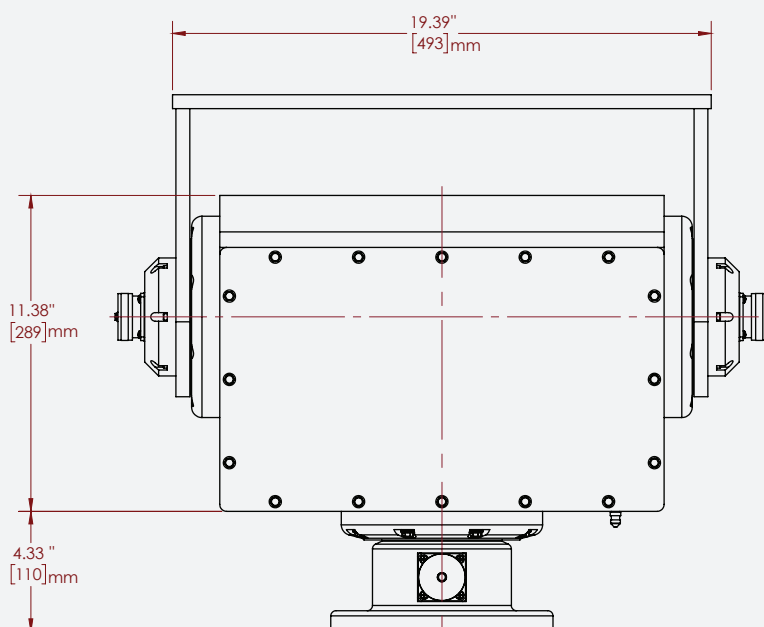
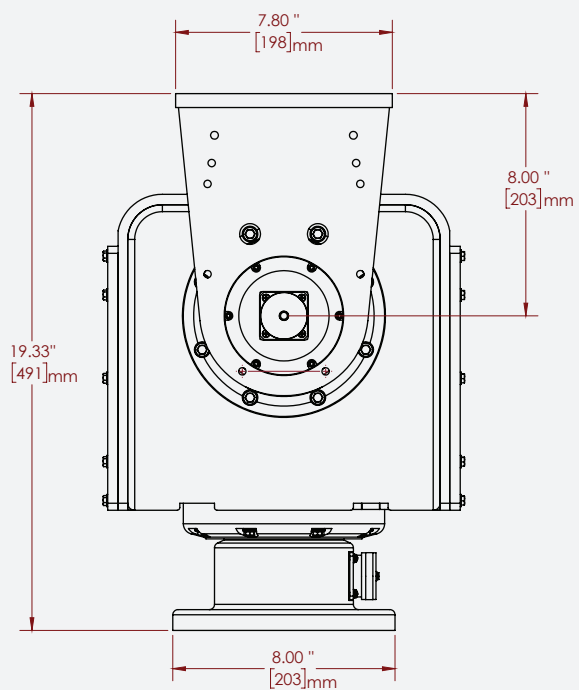
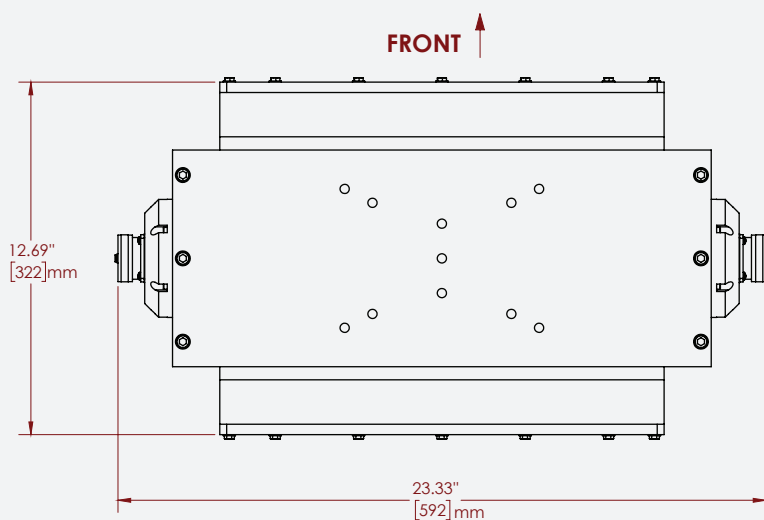
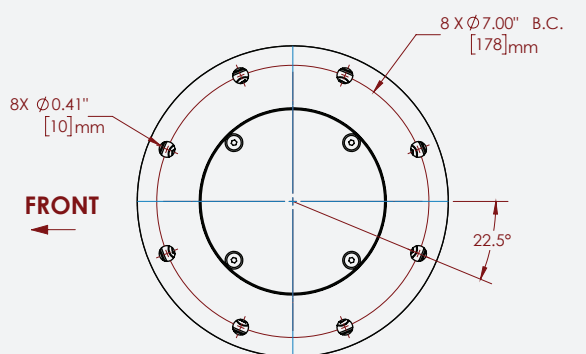
PHYSICAL PROPERTIES

Weight (W/O Payload)	180 Lbs. (81.7 Kg.)
Dimensions	23.53" W X 19.33" H X 13.01" D
Drive System	Stepper Motors, Hardened Steel Worm Gear Drive
Material	Aluminum 6061-T6 Housing, Stainless Steel Hardware, Permanently Sealed Radial Ball Bearings
Exterior Finish	Powder Coat Paint (Std.) Customer Specified Color (Carc Available)

ENVIRONMENTAL

Operational Temperature	-32°C To +55°C (100% Rh)
Storage Temperature	-40°C To +70°C
Health & Usage Monitoring Features	Duty Cycle Reading Odometer – Both Axis (Total Number Of Degrees Traveled) Cpu Temperature (Positioner Control Board) Voltage Measurement (I/P, 24v, 12v, 5v) Current Measurement (24v, 12v, 5v Supply)
Environmental Classification	IP67

DIMENSIONS





+1.847.498.0700 | www.quickset.com | sales@quickset.com



[QuickSetDefenseTechnologies LLC](https://www.linkedin.com/company/QuickSetDefenseTechnologiesLLC)



[@QuicksetDefense](https://www.facebook.com/QuicksetDefense)



[@QuicksetDefense](https://twitter.com/QuicksetDefense)



[@QuicksetDefense](https://www.instagram.com/QuicksetDefense)

These products are subject to export control laws and regulations of the United States government and fall under the control jurisdiction of either ITAR or EAR regulations. Please contact our company Export Representative for further information.

© 2025 Quickset Defense Technologies, LLC. All rights reserved.
Product and company names listed are trademarks or trade names of their respective companies.
Specifications are subject to change, to confirm current call +1 847.498.0700.