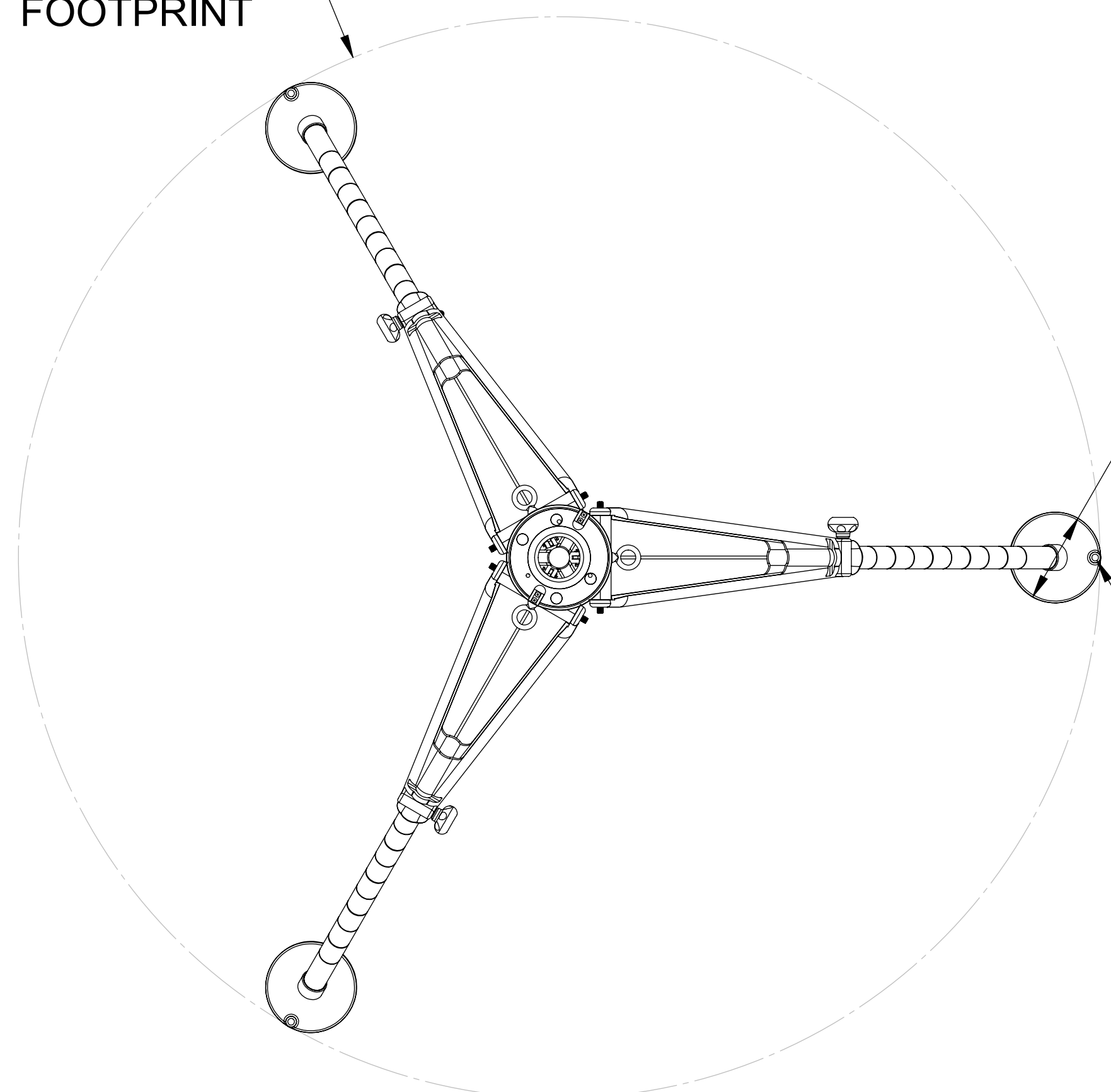


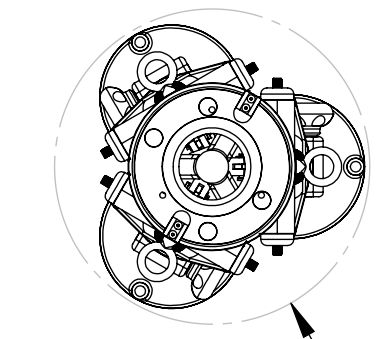
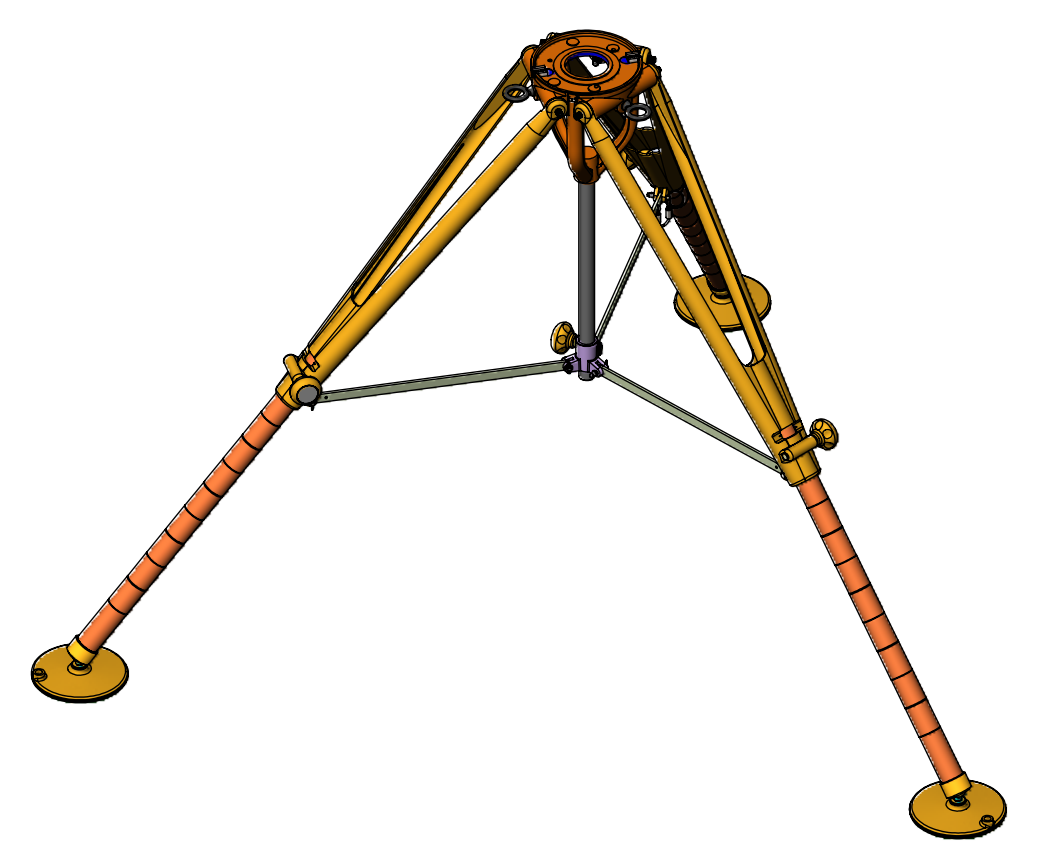
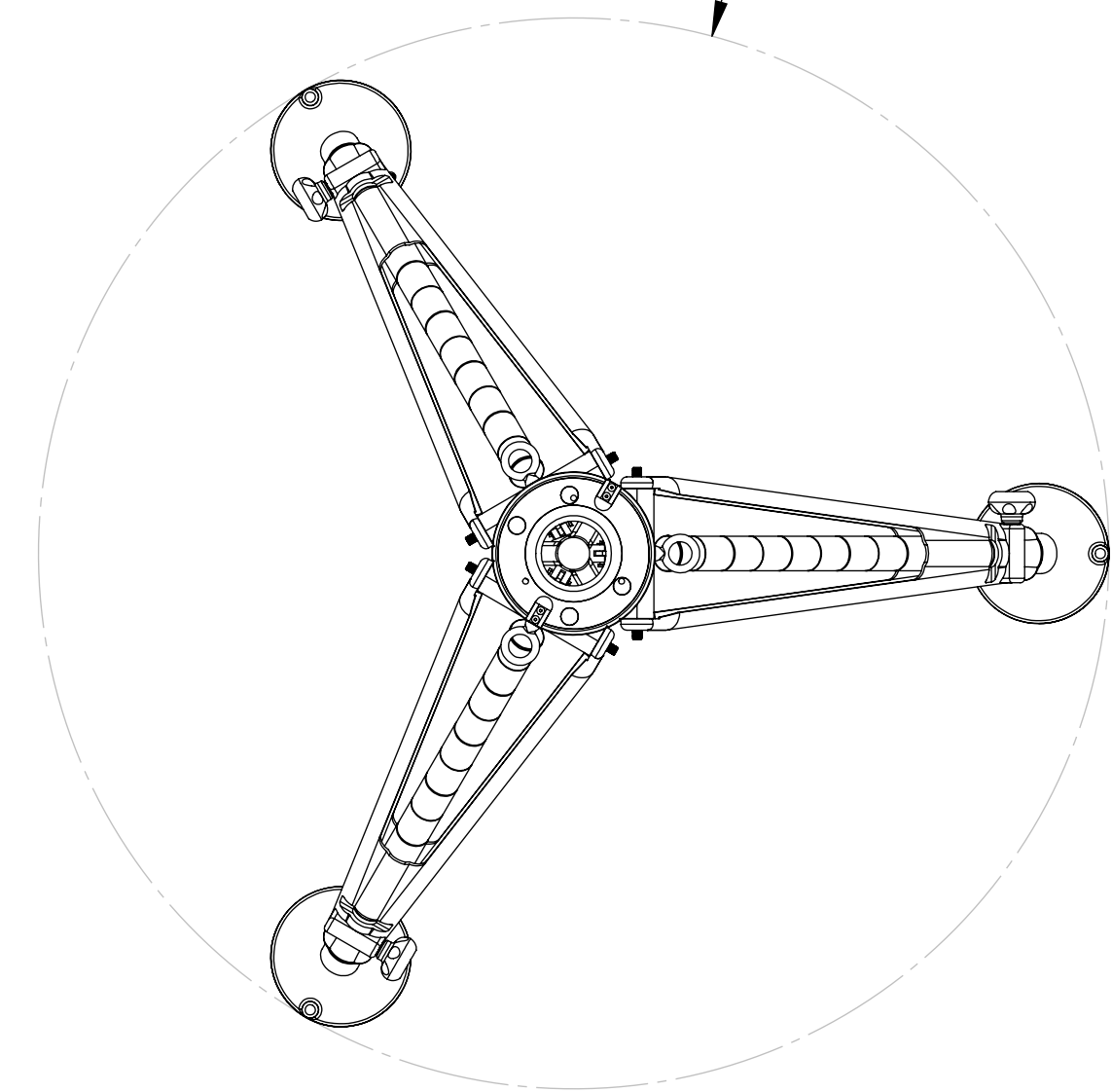
[1816]
Ø72
MAXIMUM
FOOTPRINT



[152]
Ø6
FOOT

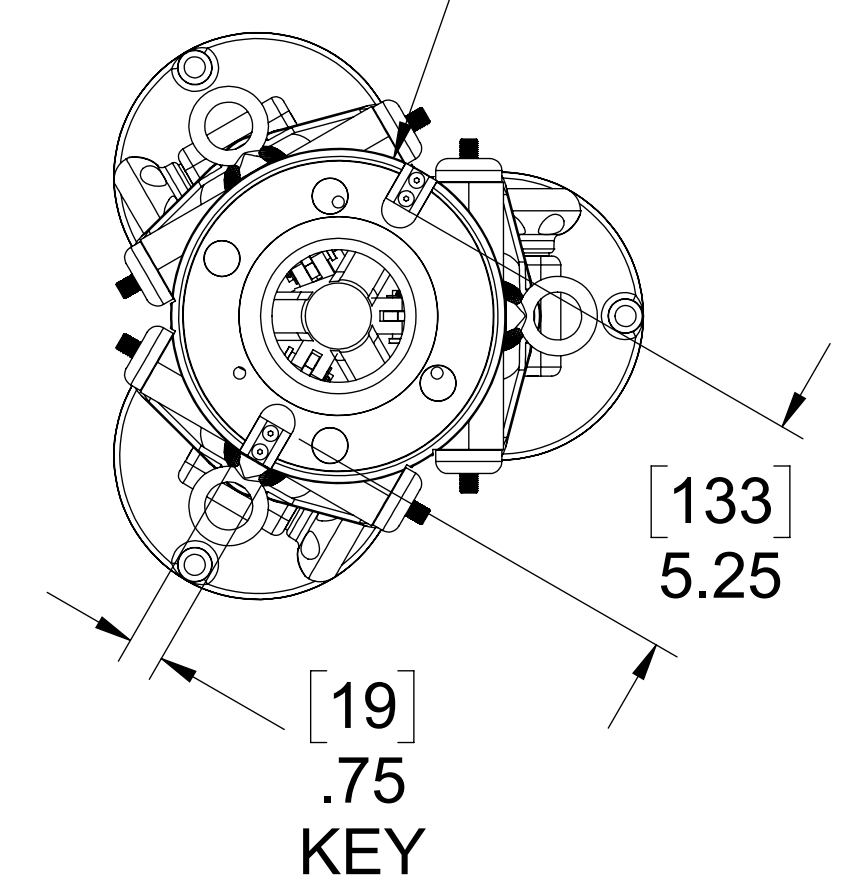
[11]
Ø.4
HOLE FOR
STAKING

[1165]
Ø46
FOOTPRINT SPREAD
AT MINIMUM HEIGHT



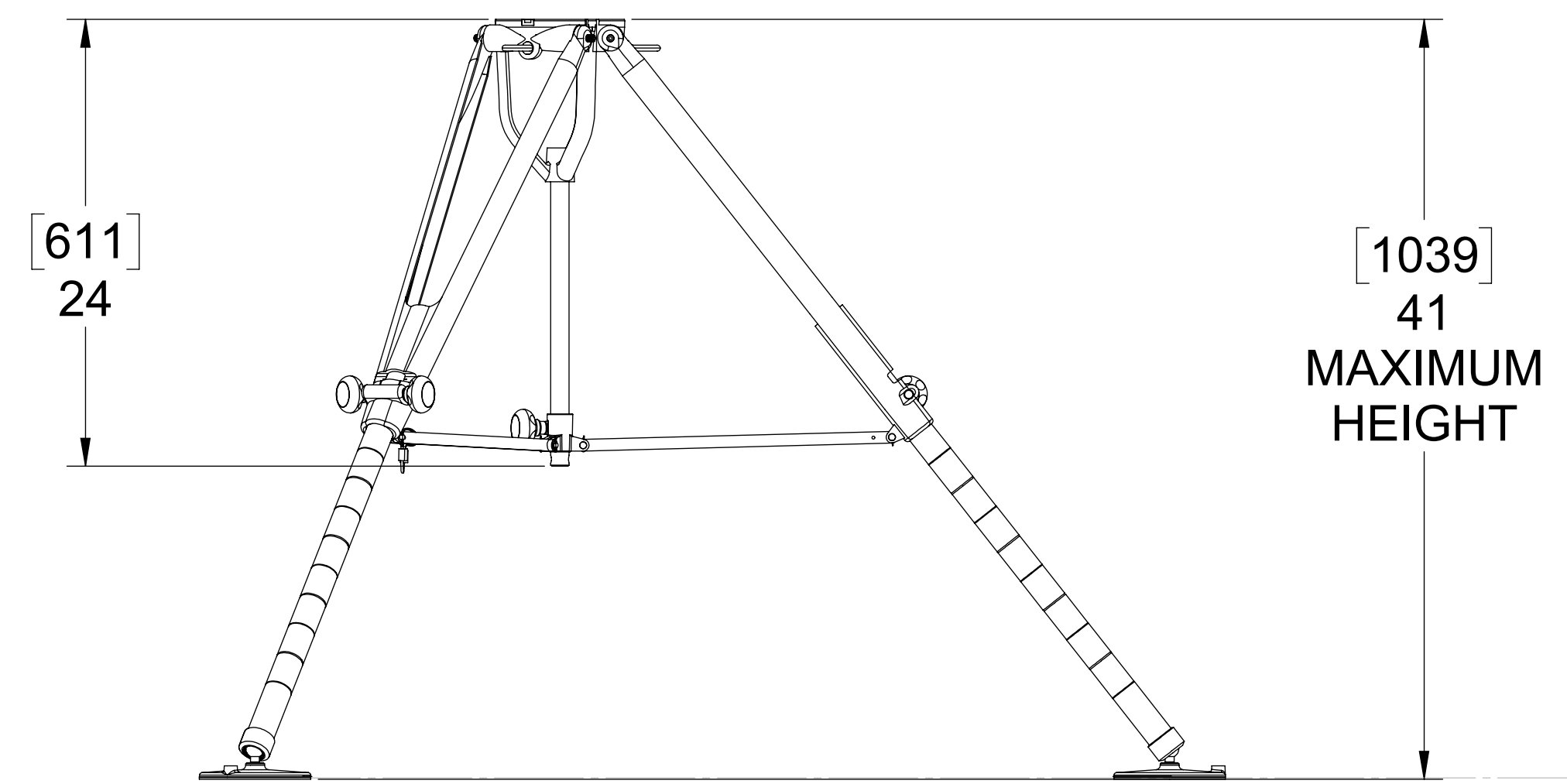
[334]
Ø13
TRANSPORT

[177]
Ø7.0
HEAD O.D.



[133]
5.25

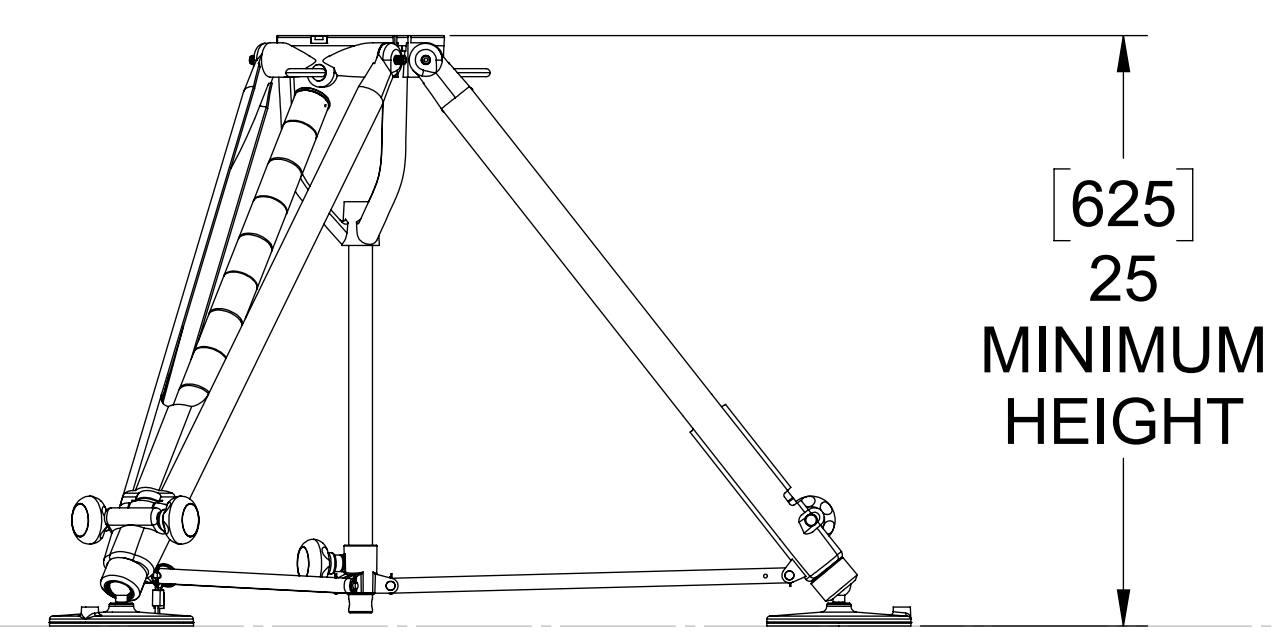
[19]
.75
KEY



[611]
24

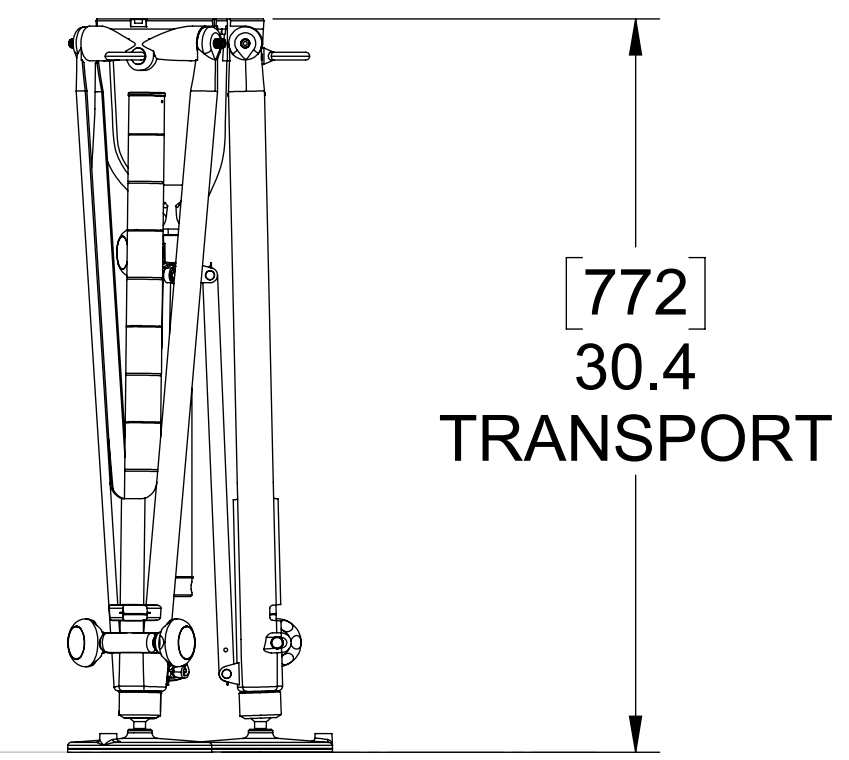
[1039]
41
MAXIMUM
HEIGHT

LEGS EXTENDED
TALLEST HEIGHT



[625]
25
MINIMUM
HEIGHT

LEGS COLLAPSED
SHORTEST HEIGHT



[772]
30.4
TRANSPORT

CLOSED POSITION FOR
TRANSPORTING OR STORAGE

NOTES:

- 1. ALL DIMENSIONS ARE FOR REFERENCE ONLY.
- 2. [DIMENSION] ARE IN MILLIMETERS.

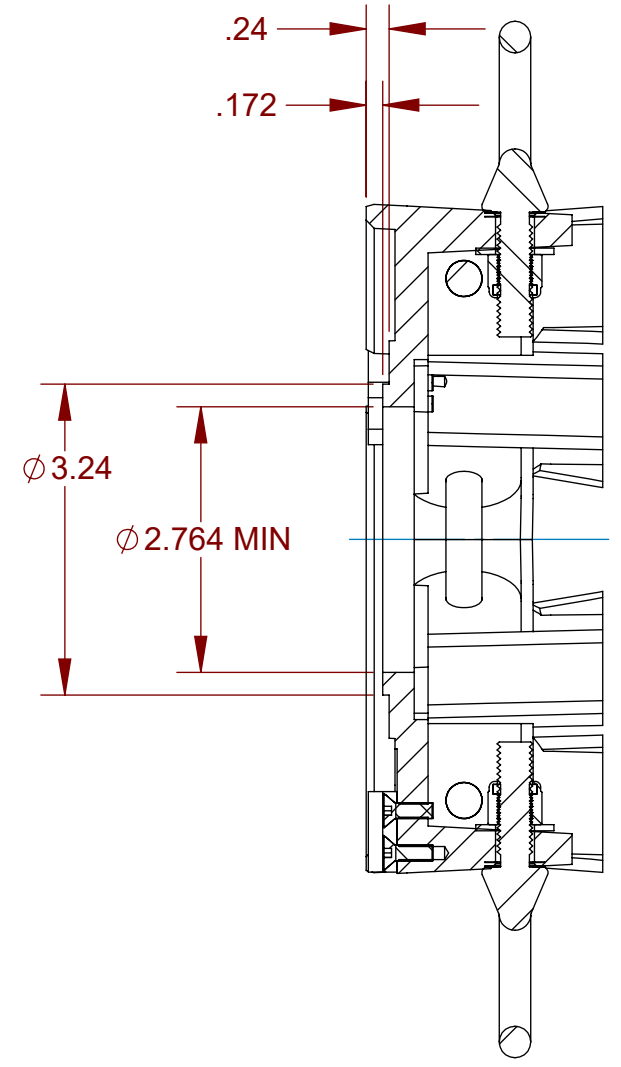
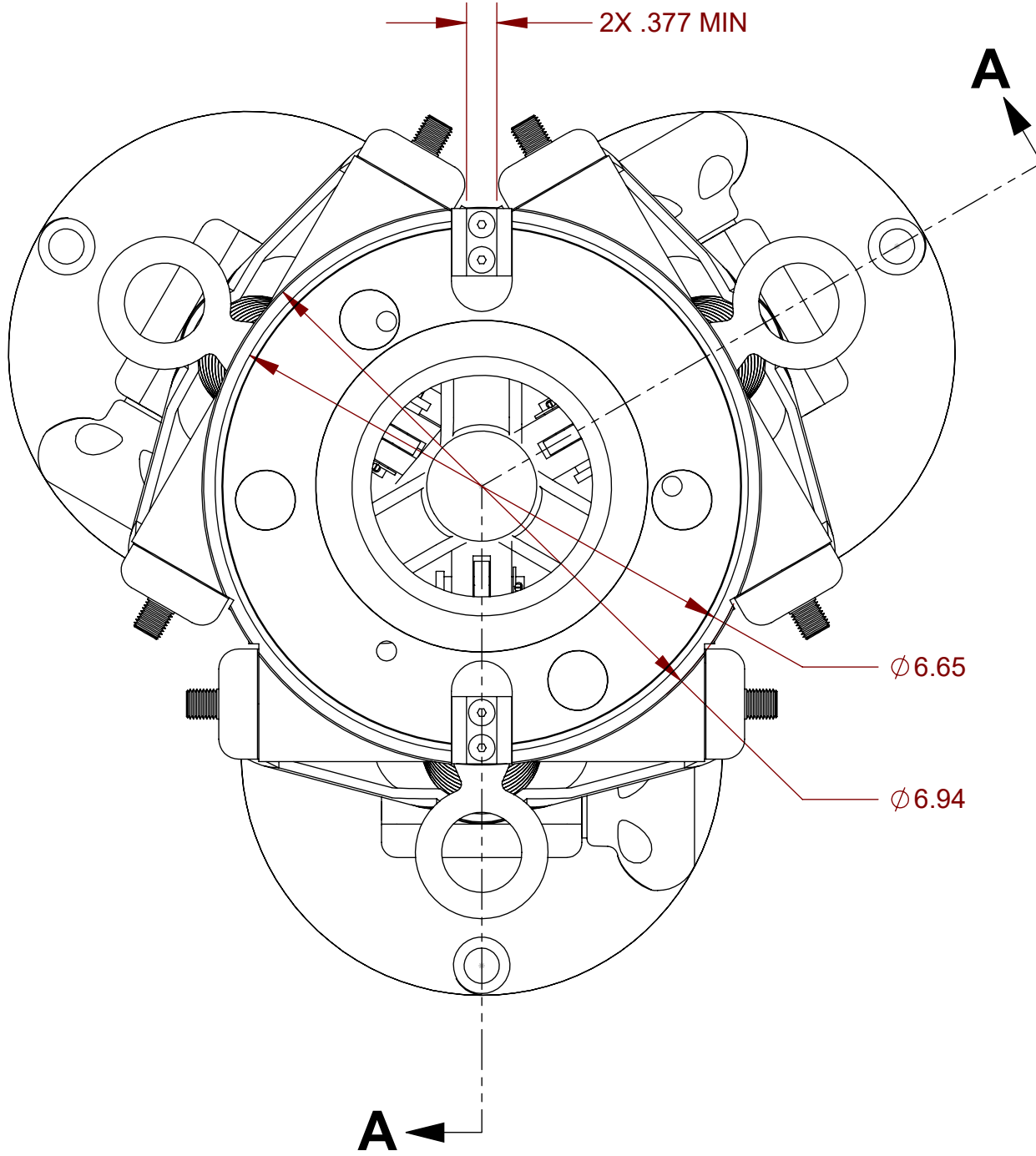
QUICKSET	
DESCRIPTION ICD, TRIPOD GIBR AMT 41 IN 400 LB FP AL	
MATERIAL	DWG NO 4-60450-ICD
WEIGHT (BS): 2.3	SIZE: D SHEET: 1 OF 2 REV: C

4

3

2

1



QUICKSET		
DWG NO	4-60450-ICD	
SIZE: B	SHEET: 2 OF 2	REV: C

4

3

2

1