

4

3

2

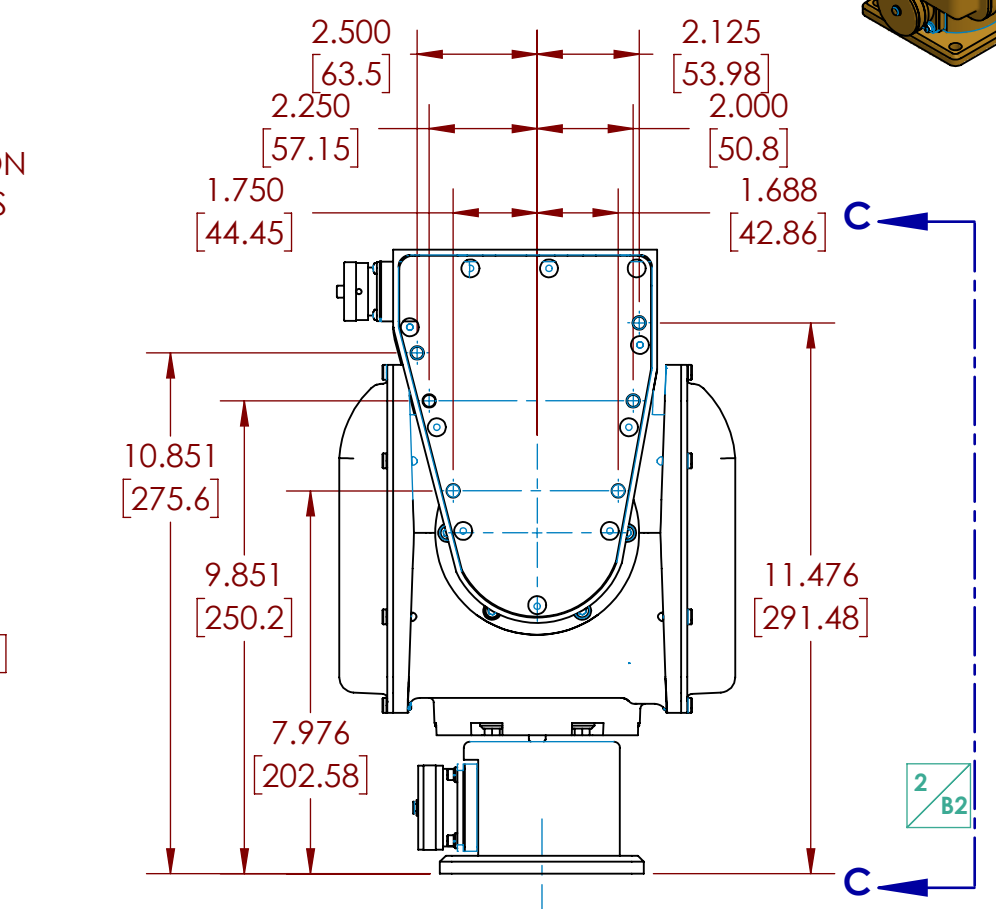
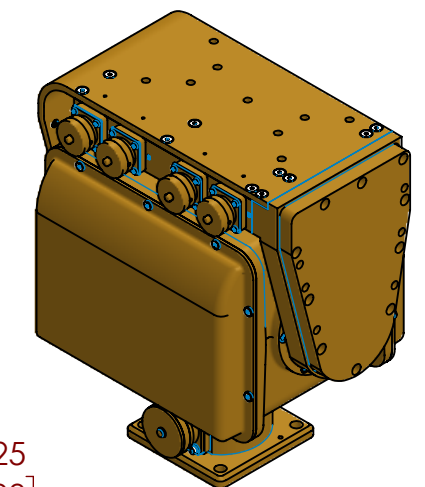
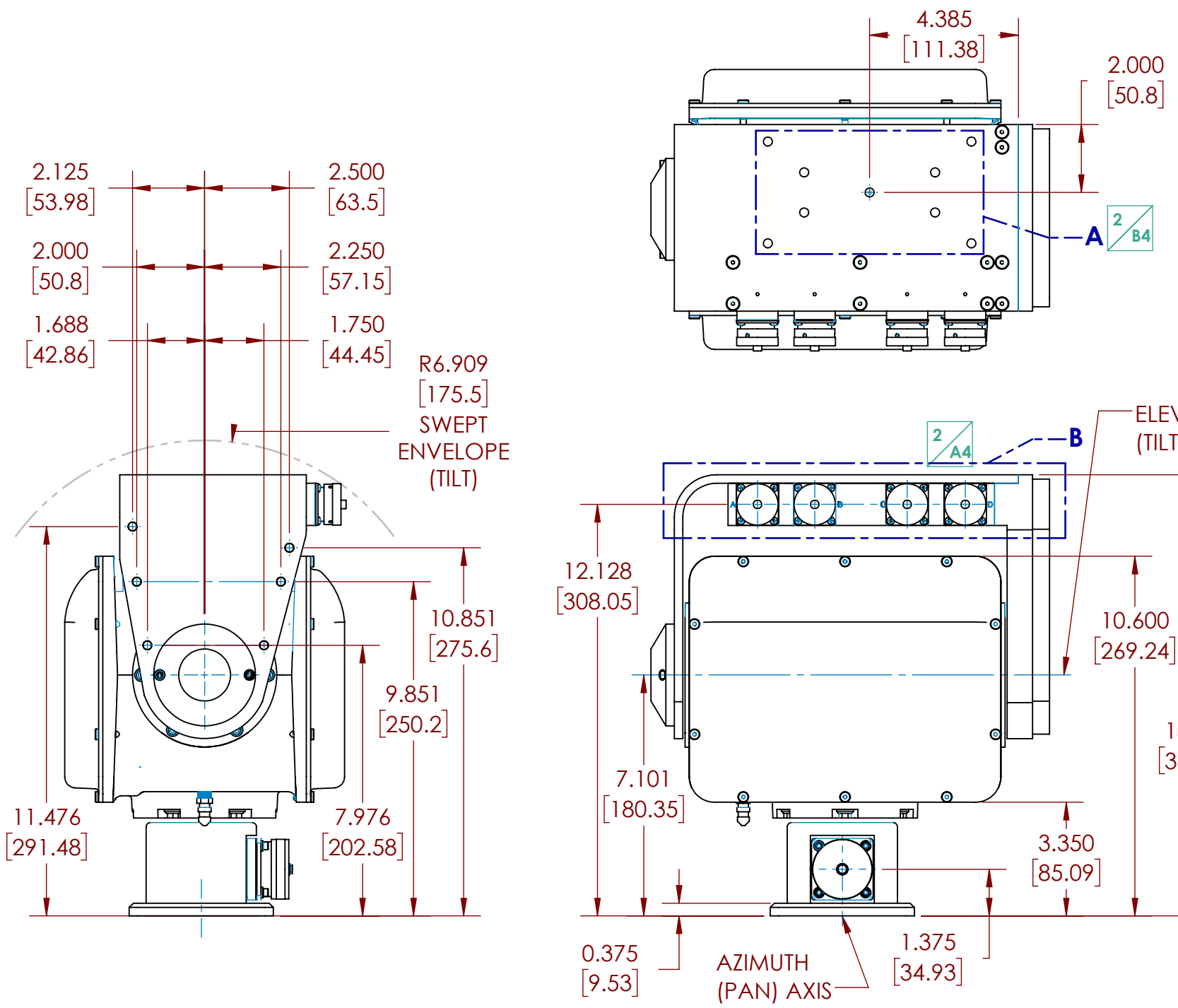
1

B

B

A

A



NOTES:

1. ALL DIMENSIONS ARE FOR REFERENCE ONLY. ALL DIMENSIONS ARE IN INCHES. DIMENSIONS IN SQUARE BRACKETS ARE IN [MILLIMETERS].
2. RECEPTACLE: 43 PIN 25 SHELL CONNECTOR.
3. RECEPTACLE: 43 PIN 25 SHELL CONNECTOR.
4. RECEPTACLE: 26 PIN 16 SHELL CONNECTOR.

<p>THIRD ANGLE PROJECTION</p> <p>THIS DRAWING AND THE INFORMATION HEREON ARE PROPERTY OF QUICKSET DEFENSE TECHNOLOGY LLC, AND MAY BE USED BY OTHERS ONLY AS AUTHORIZED BY QUICKSET. ALL RIGHTS RESERVED UNDER THE COPYRIGHT LAWS.</p> <p>This document contains technology subject to the U.S. Export Administration Regulations (EAR) and may not be exported or transferred by any means to any person, country, or company requiring a license or other authorization, or for end uses requiring a license, without prior written approval from the U.S. Department of Commerce, Bureau of Industry and Security (BIS). Diversion contrary to U.S. law is prohibited.</p>	<p>UNLESS OTHERWISE SPECIFIED</p> <p>.X ± 0.03</p> <p>.XX ± 0.01</p> <p>.XXX ± 0.005</p> <p>ANGULAR ± 0.5°</p> <p>UNSPECIFIED RADII 0.030 MAX RAD</p> <p>EDGES 0.005 - 0.010 RAD OR CHAM</p> <p>SURFACE ROUGHNESS PER ASME Y14.36 & B46.1</p> <p>ALL DIMENSIONS ARE IN INCHES</p> <p>DRAWING NOT TO SCALE</p> <p>PART TO BE FREE OF BURRS</p>	<p>DESCRIPTION</p> <p>CD, QPT50 SENTRY APOLLO 24VDC CR 9K IP</p>	
	<p>MATERIAL</p> <p>N/A</p> <p>WEIGHT (lbs): 34.32</p>		

4

3

2

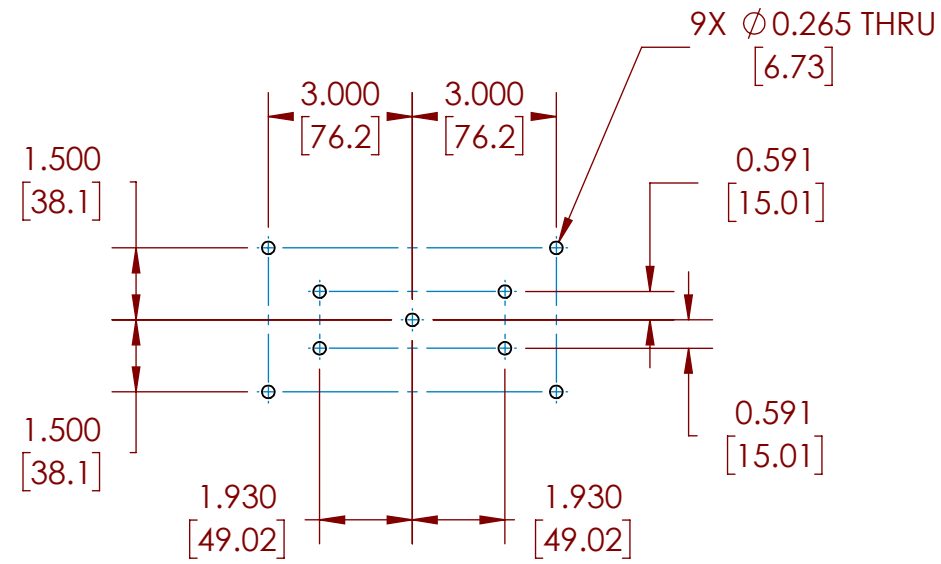
1

4

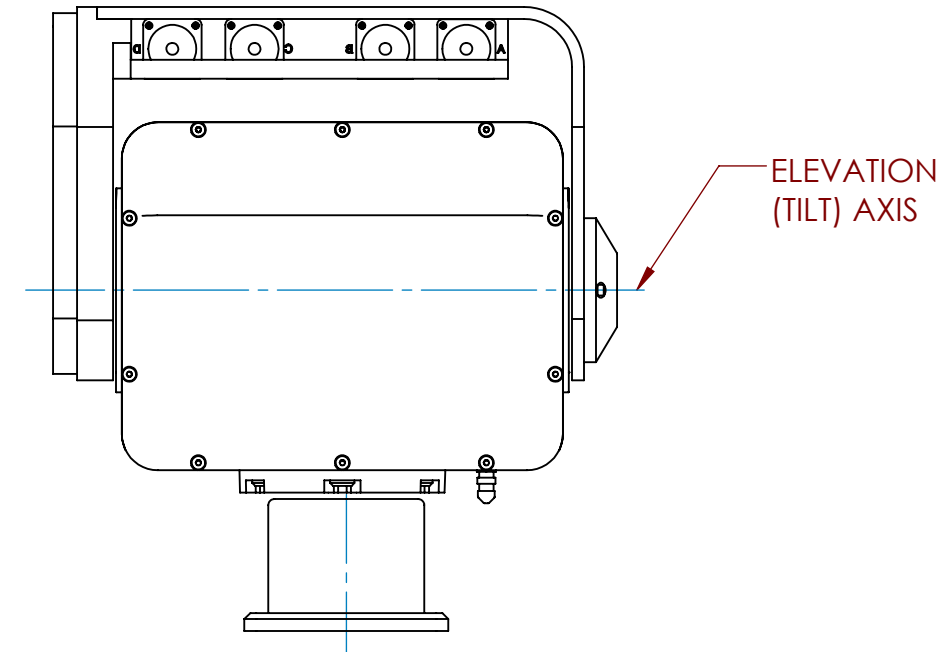
3

2

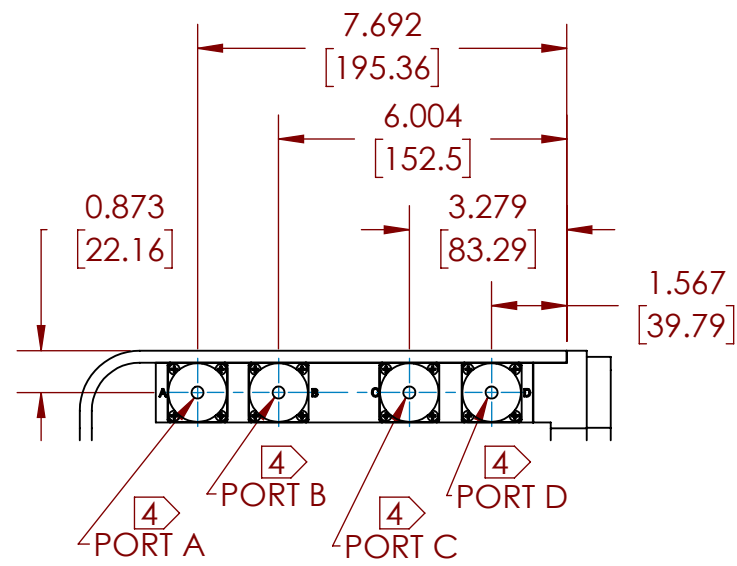
1



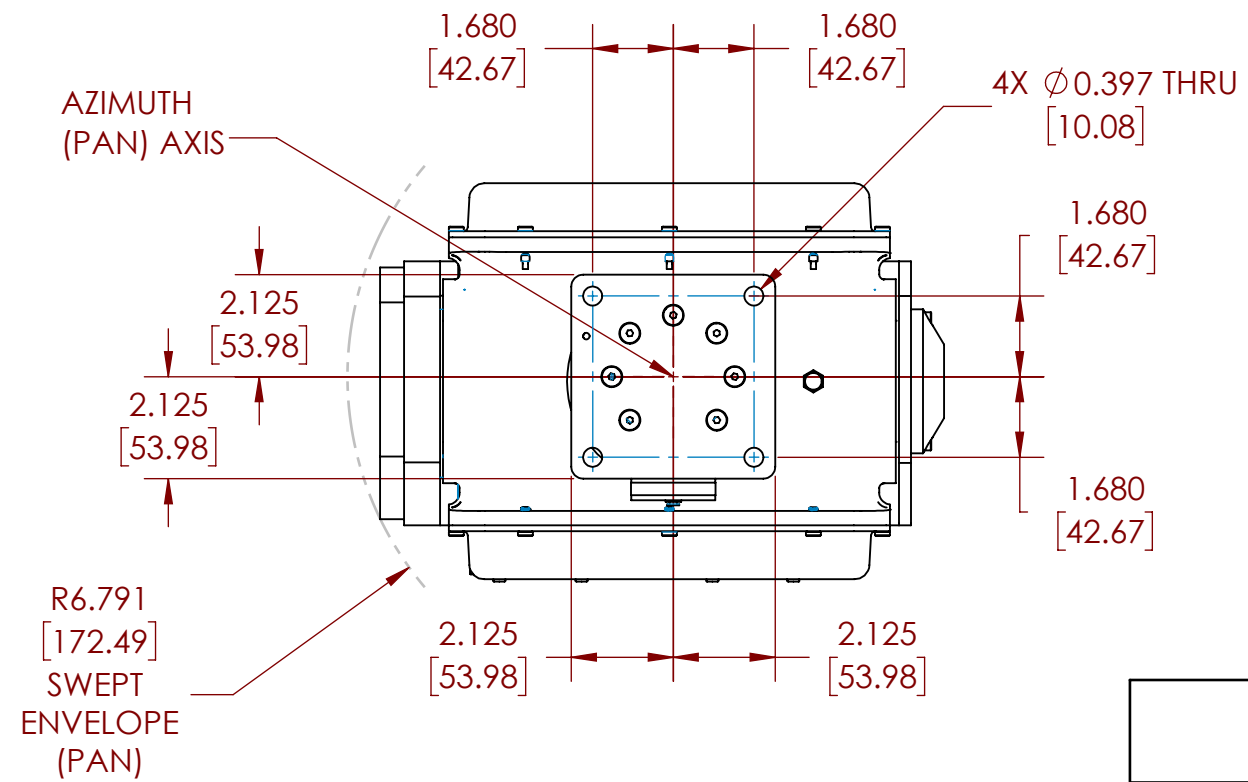
DETAIL A



VIEW C-C



DETAIL B



QUICKSET[®]
Defense Technologies, LLC

DWG NO

7-66000-ICD

SIZE: B

SHEET: 2 OF 2

REV: **A**

4

3

2

1

B

B

A

A