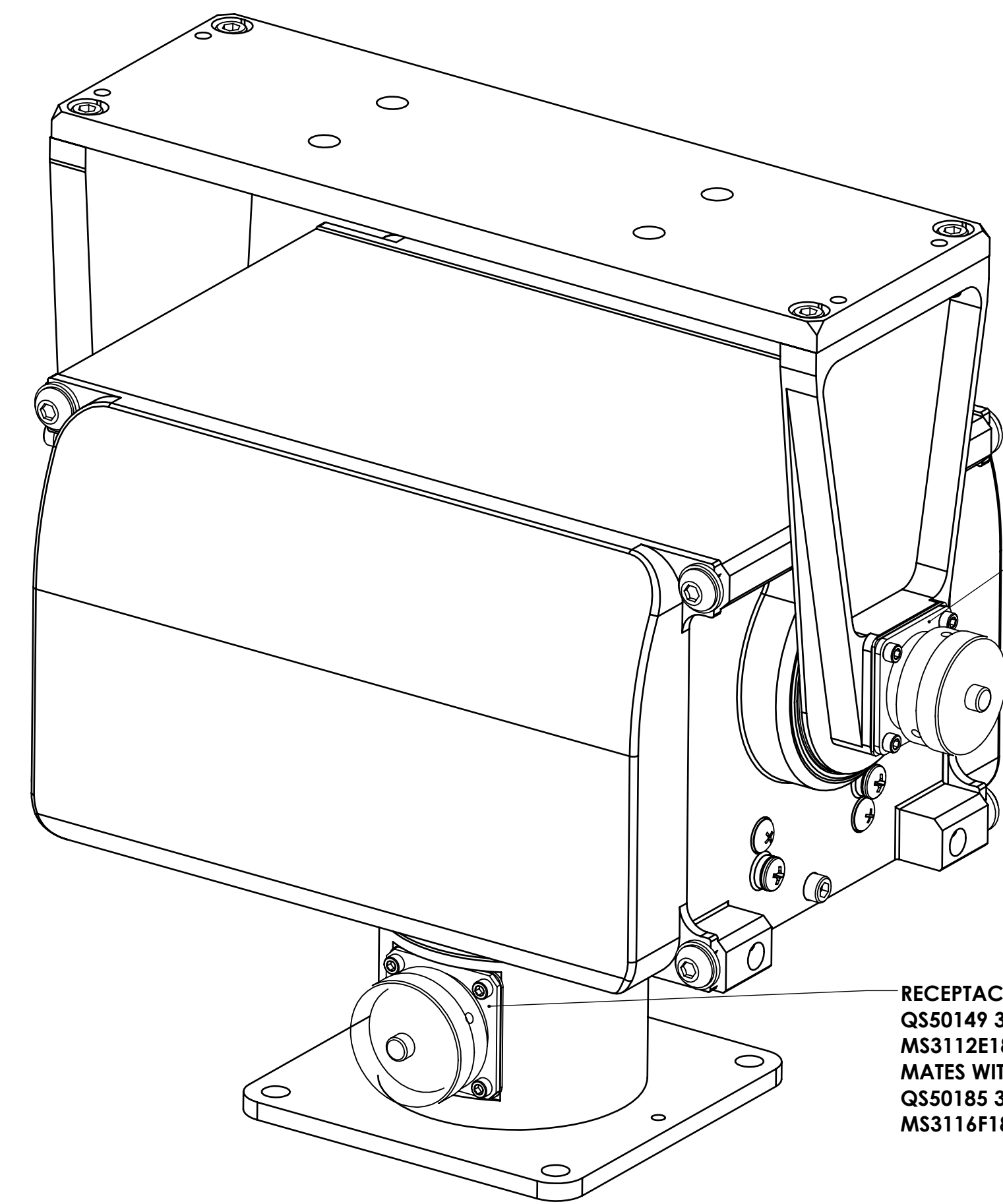


VIEW A-A



PORT B RECEPTACLE
 QS50010 26 SOCKET 16 SHELL
 MS3112E16-26SW
 MATES WITH
 QS50011 26 PIN 16 SHELL
 MS3116J16-26PW

RECEPTACLE
 QS50149 32 PIN 18 SHELL
 MS3112E18-32P
 MATES WITH
 QS50185 32 SPCKET 18 SHELL
 MS3116F18-32S

<p>THIRD ANGLE PROJECTION</p> <p>THE DRAWING AND THE INFORMATION HEREON ARE PROPERTY OF QUICKSET DEFENSE TECHNOLOGY LLC, AND MAY BE USED BY OTHERS ONLY AS AUTHORIZED BY QUICKSET. ALL RIGHTS RESERVED UNDER THE COPYRIGHT LAWS.</p> <p>THIS DOCUMENT CONTAINS TECHNOLOGY SUBJECT TO THE U.S. EXPORT Administration Regulations (EAR) and may not be reexported or transferred by any means to any person, country, or company requiring a license or other authorization, or for end use requiring a license, without prior written approval from the U.S. Department of Commerce, Bureau of Industry and Security (BIS). Diversion contrary to U.S. law is prohibited.</p>	<p>UNLESS OTHERWISE SPECIFIED</p> <p>JK 1:0.03</p> <p>JX 1:0.01</p> <p>JKX 1:0.05</p> <p>FINISH: 48 ± 0.02</p> <p>INSIDE CORNERS: 0.030 MAX RAD</p> <p>EDGES: 0.005 - 0.010 RAD OR CHAM</p> <p>SURFACE ROUGHNESS: PER ASME Y14.36 & 36.1</p> <p>ALL DIMENSIONS ARE IN INCHES UNLESS NOTED OTHERWISE</p>	<p>QUICKSET[®] Defense Technologies, LLC</p>
	<p>DESCRIPTION</p> <p>QP120/CMS 24VDC CR FT-B DUAL ENC OUT PIS-20</p>	<p>MATERIAL</p> <p>SEE BOM</p> <p>WEIGHT (Est):</p>