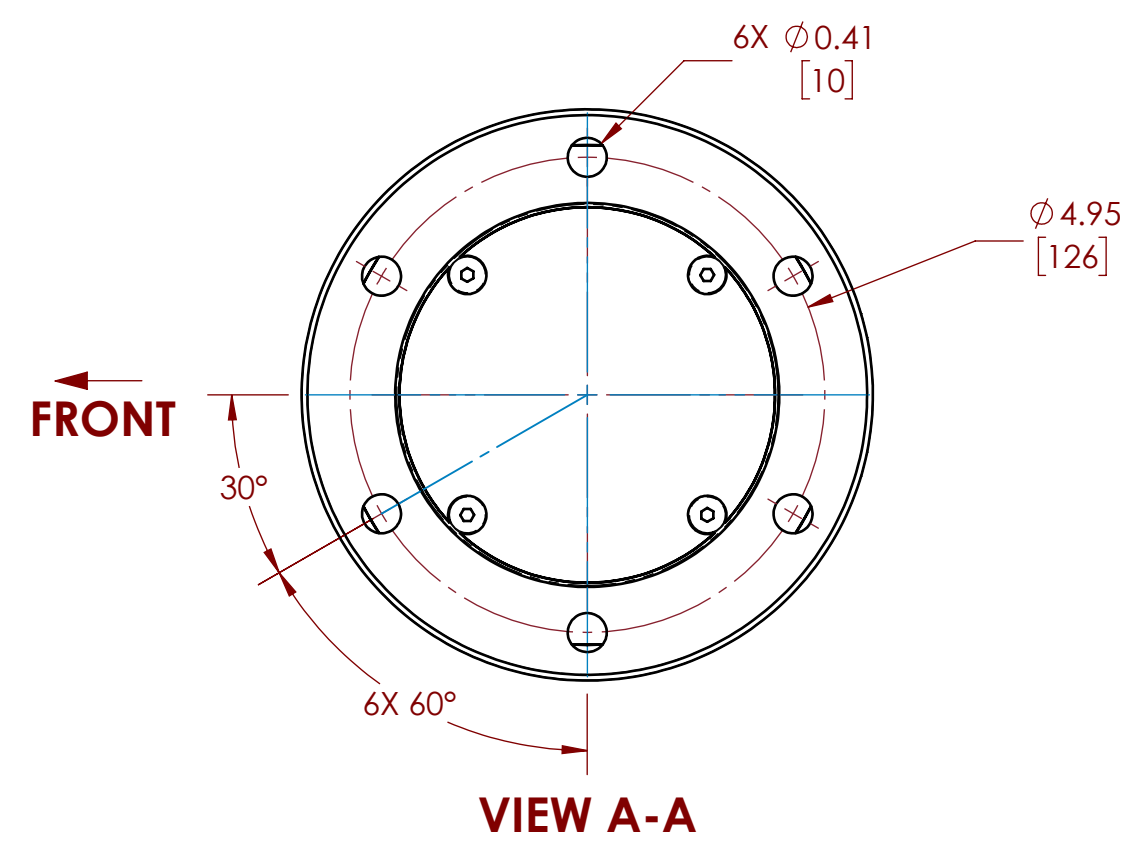
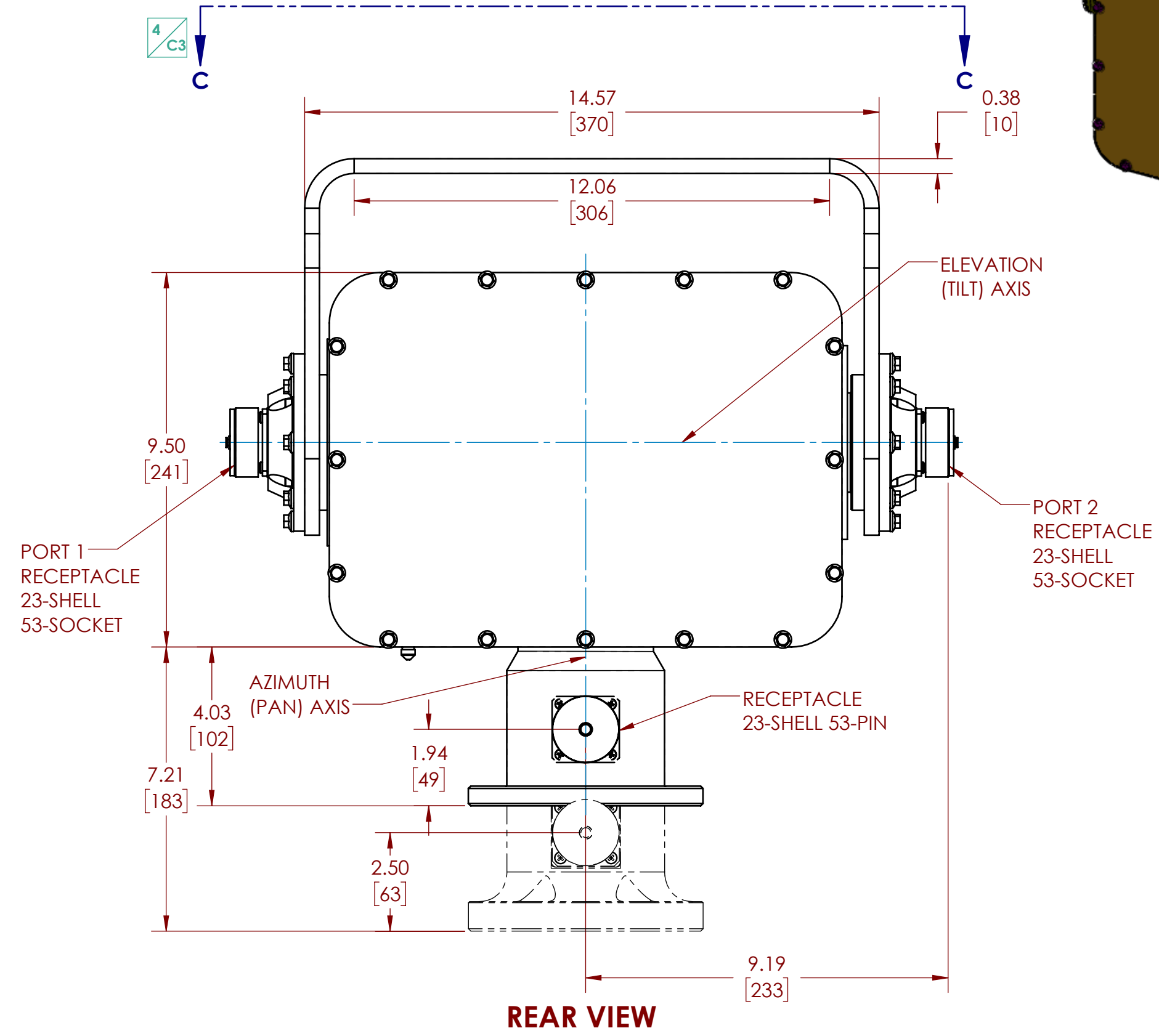
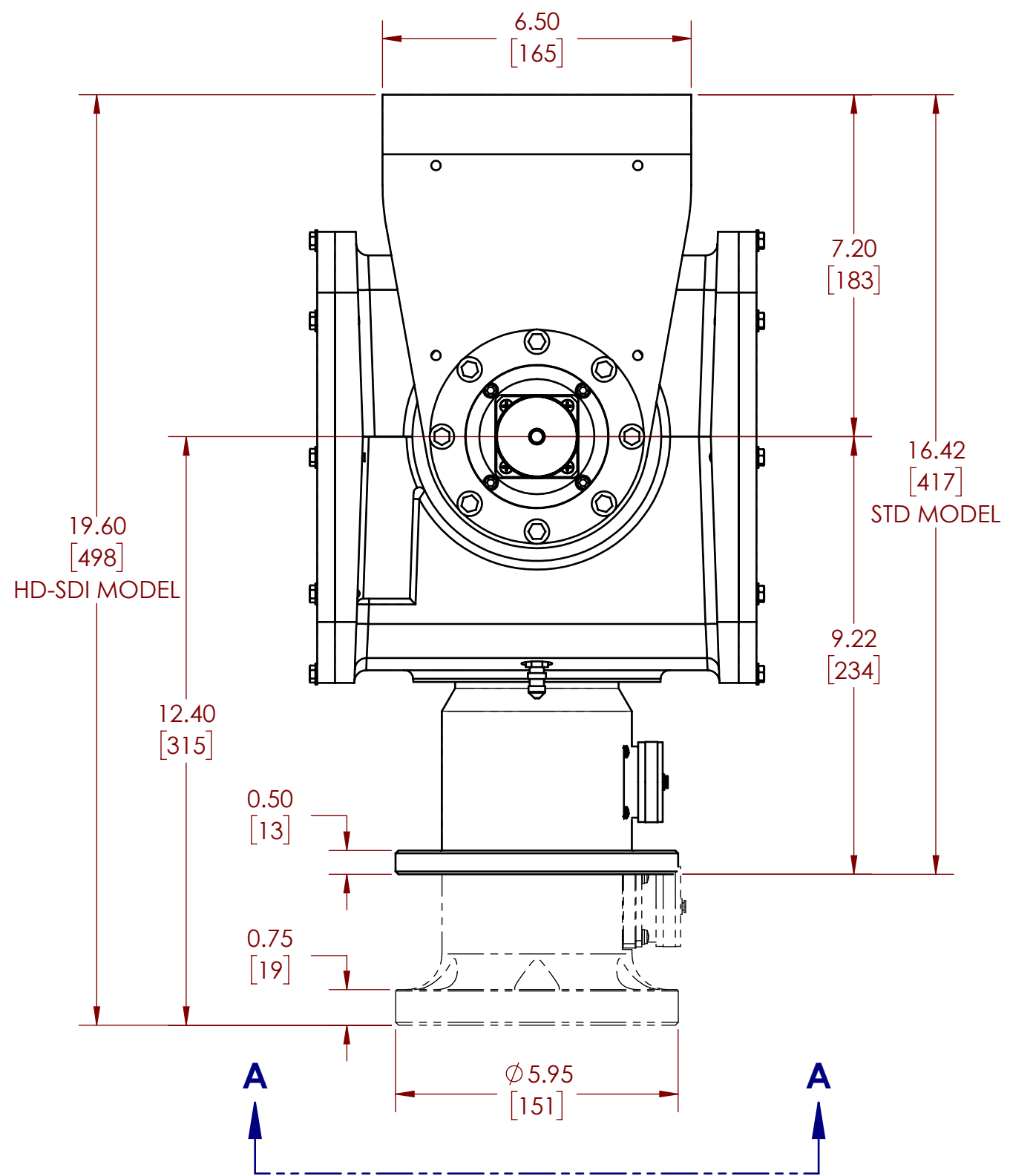
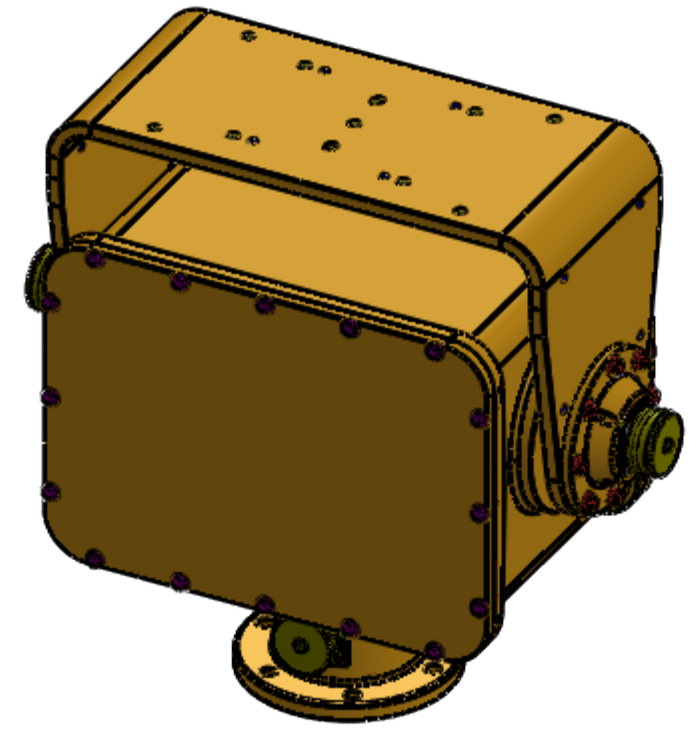


MODELS#: **8-PA166** (STD)  
**8-PB133** (STD)  
**8-PB151** (STD)  
**8-PC163** (HD-SDI)

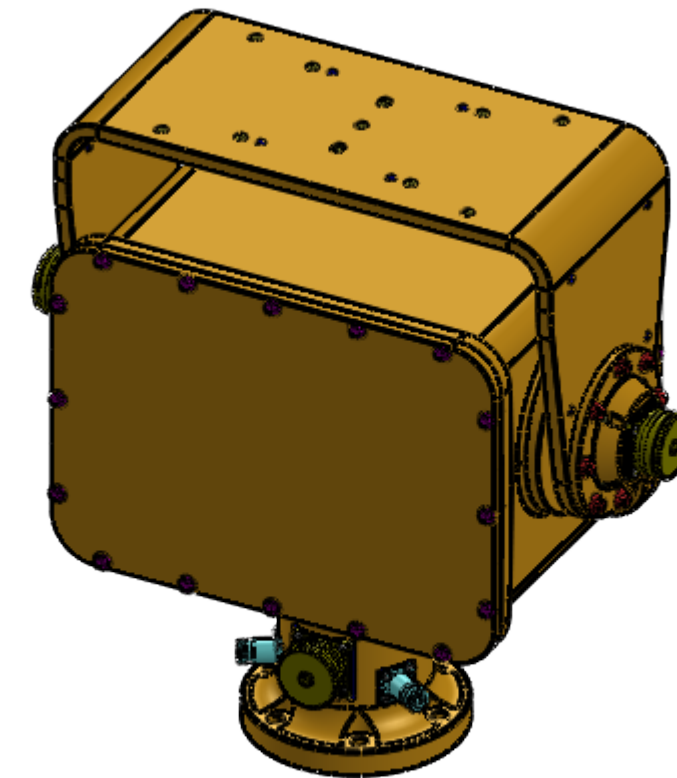
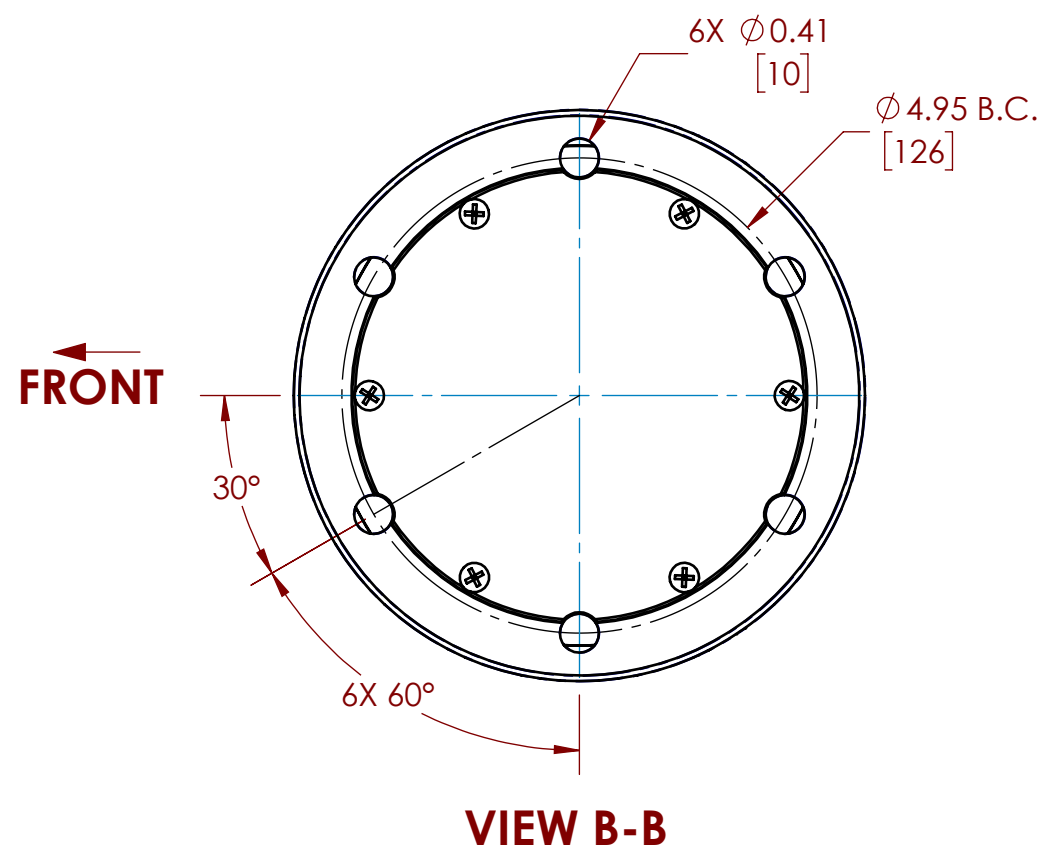
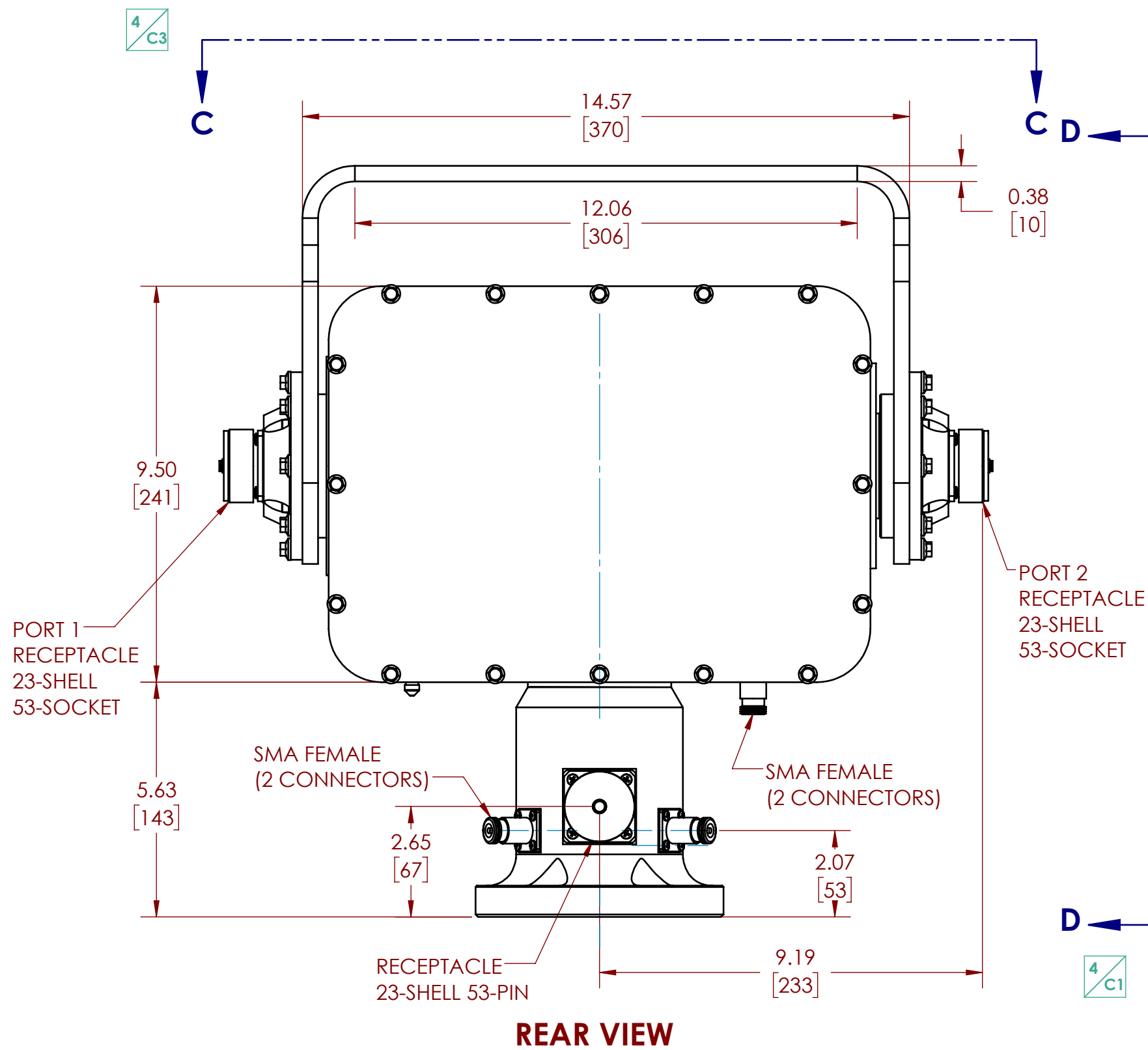
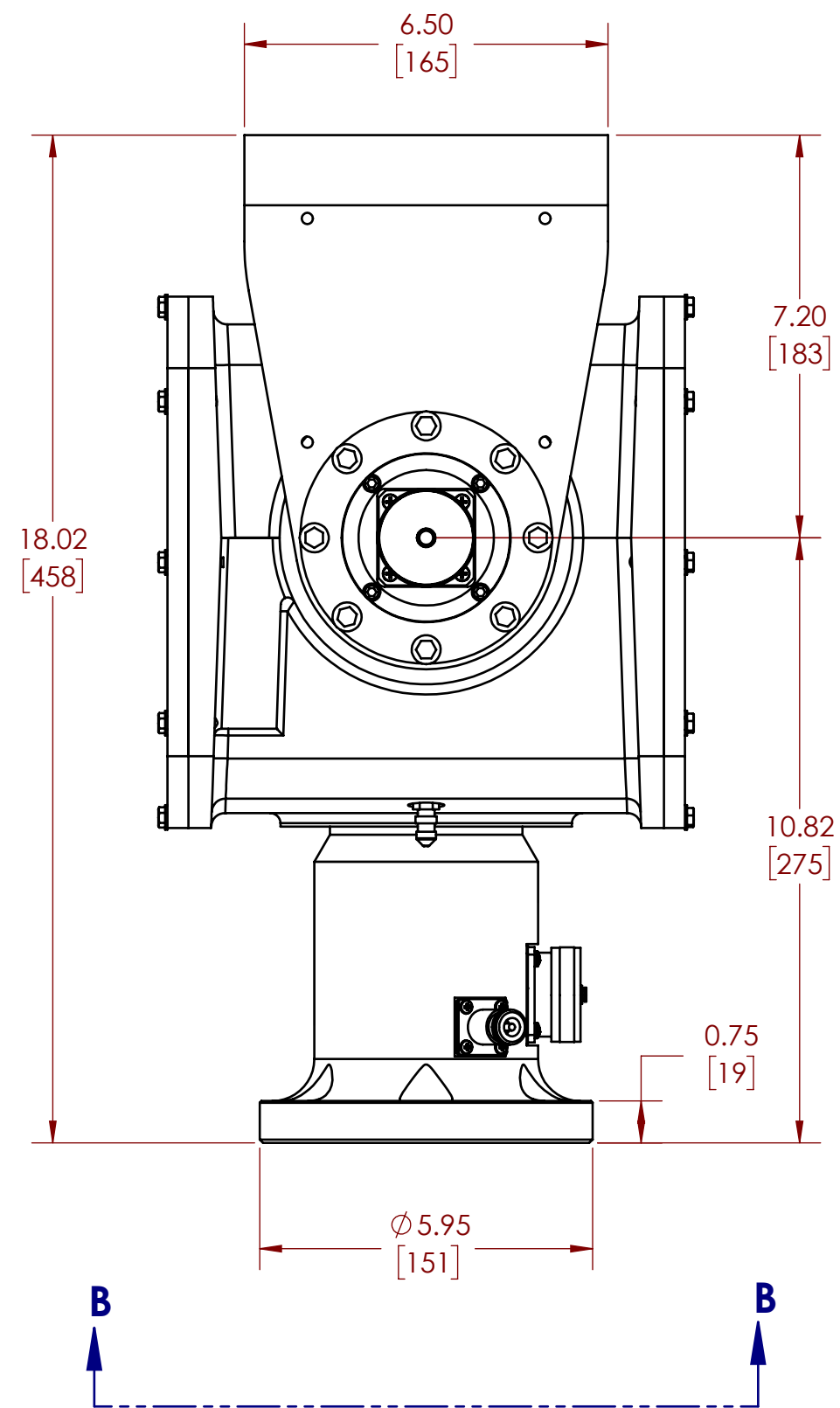


**NOTES:**  
 1. ALL DIMENSIONS ARE REFERENCE ONLY

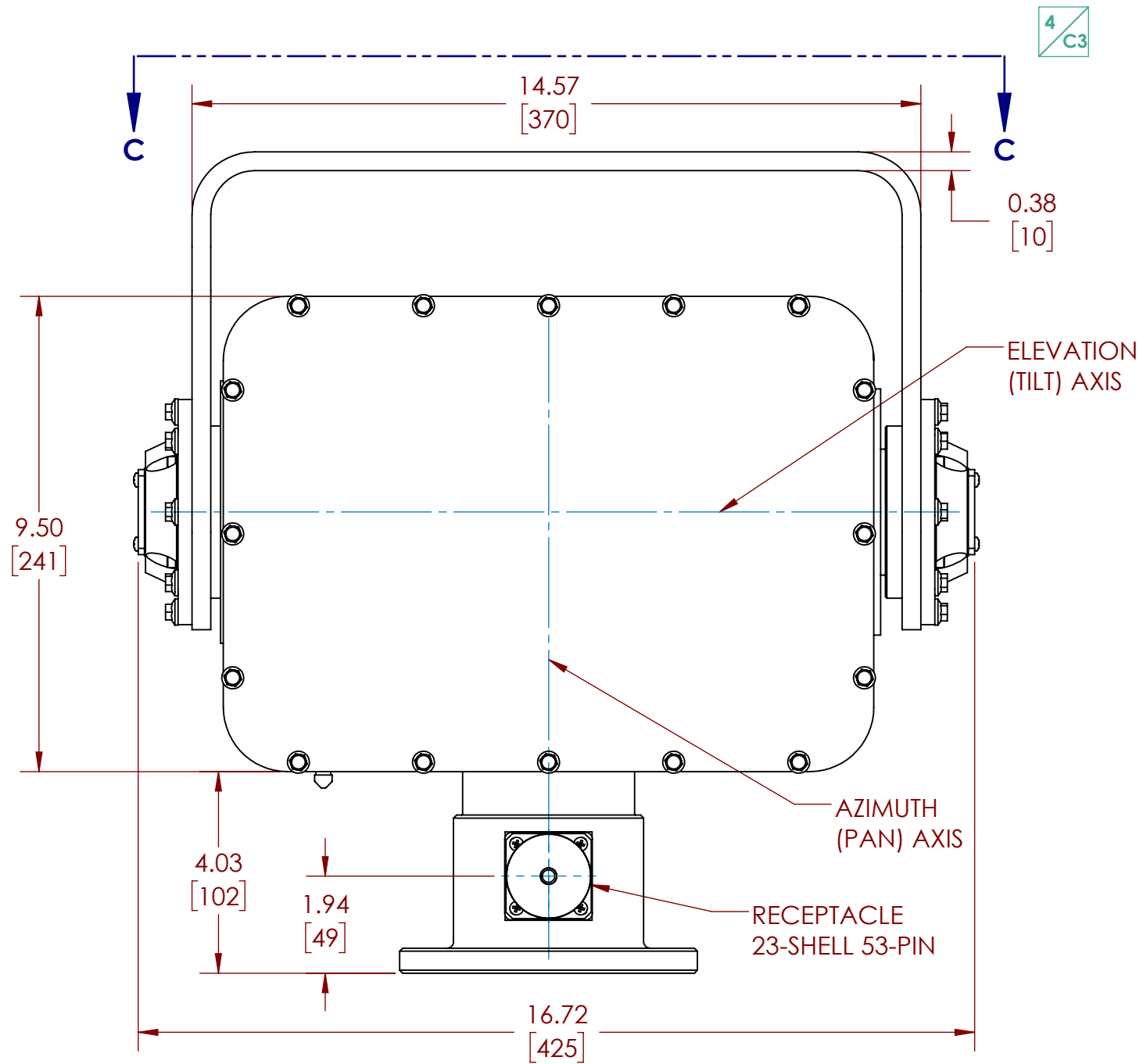
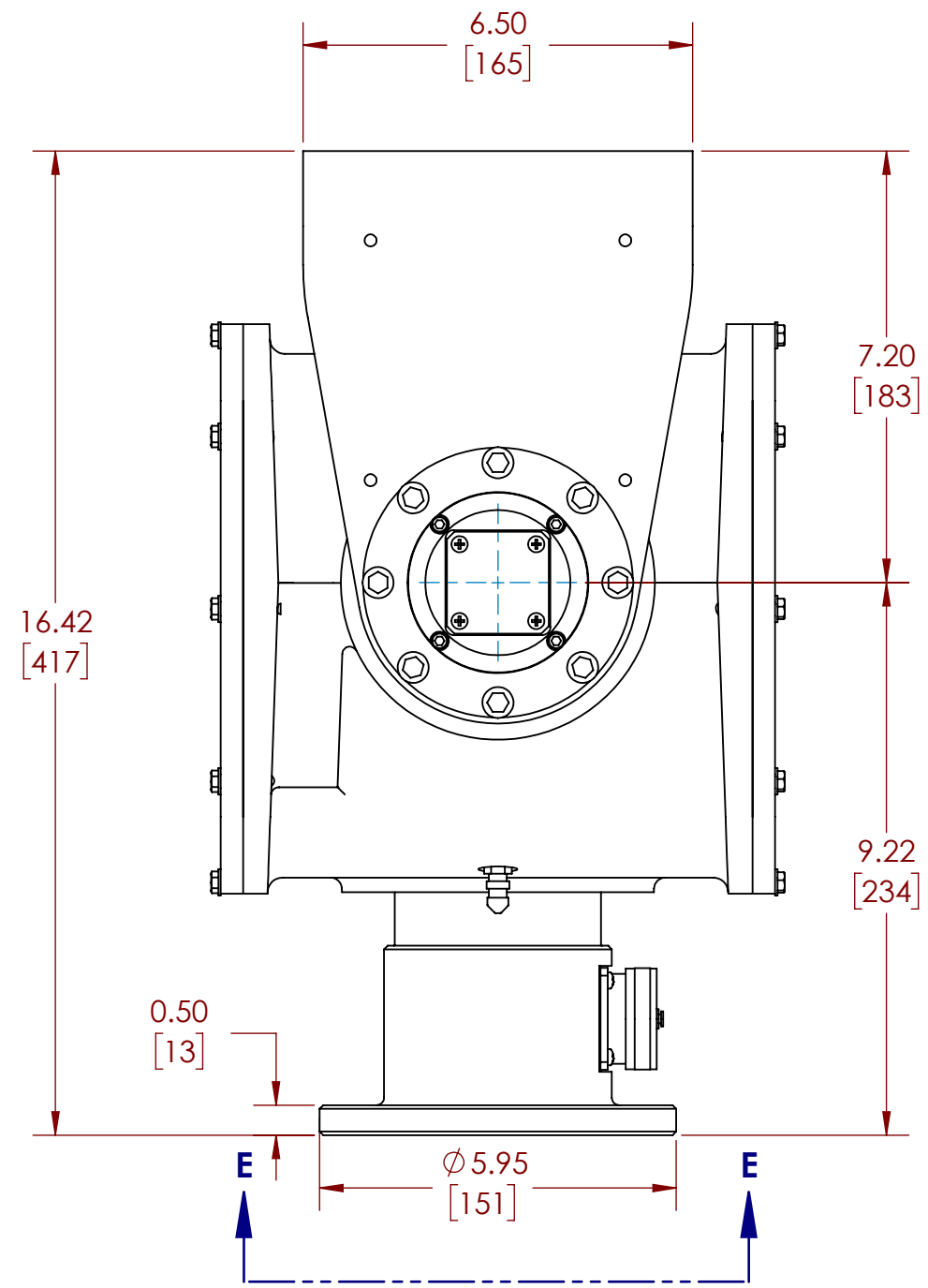
**GREEN**

<p>THIRD ANGLE PROJECTION</p> <p>THIS DRAWING AND THE INFORMATION HEREON ARE PROPERTY OF QUICKSET DEFENSE TECHNOLOGY LLC. AND MAY BE USED BY OTHERS ONLY AS AUTHORIZED BY QUICKSET. ALL RIGHTS RESERVED UNDER THE COPYING LAWS.</p> <p>This document contains technology subject to the U.S. Export Administration Regulations (EAR) and may not be exported or transferred by any means to any person, country, or company requiring a license or other authorization, or for end uses requiring a license, without prior written approval from the U.S. Department of Commerce, Bureau of Industry and Security (BIS). Diversion contrary to U.S. law is prohibited.</p>	<p>UNLESS OTHERWISE SPECIFIED</p> <p>.X ± 0.03          .XX ± 0.01          .XXX ± 0.005          ANGULAR ± 0.5°          INSIDE CORNERS 0.030 MAX RAD          EDGES 0.005 - 0.010 RAD OR CHAM</p> <p>SURFACE ROUGHNESS PER ASME Y14.36 &amp; B46.1</p> <p>ALL DIMENSIONS ARE IN INCHES DRAWING NOT TO SCALE PART TO BE FREE OF BURRS</p>	<p>DESCRIPTION          ICD, MECHANICAL MPT-90</p>
	<p>MATERIAL          N/A</p> <p>WEIGHT (lbs): 73.00</p>	

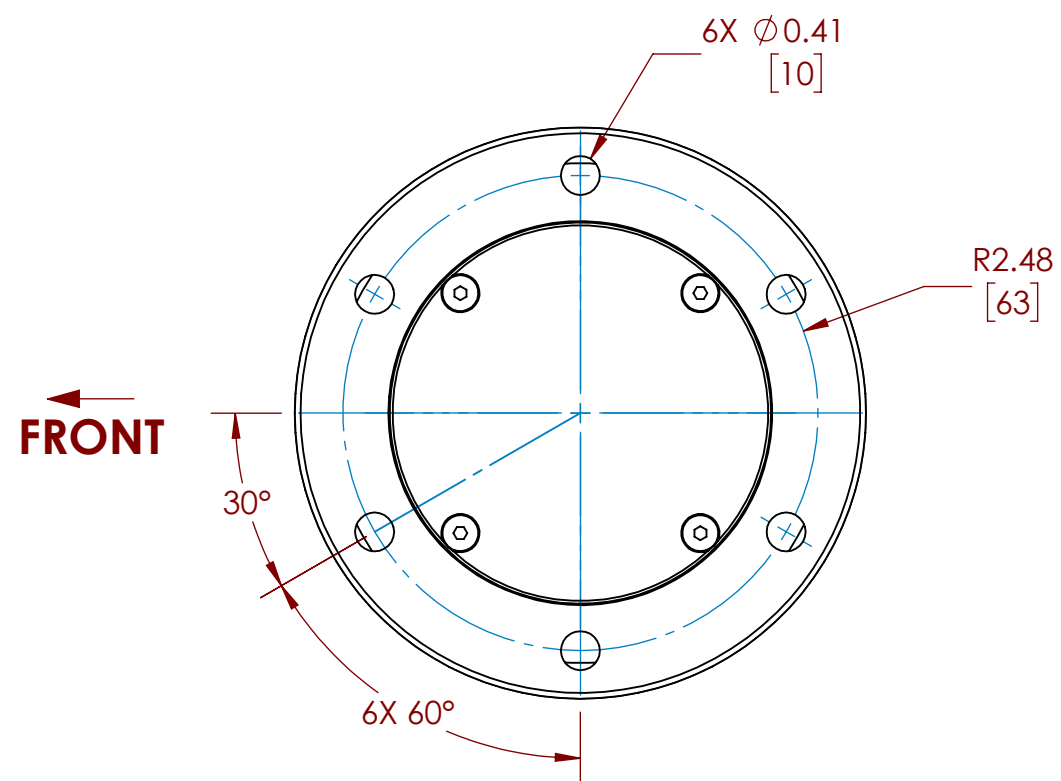
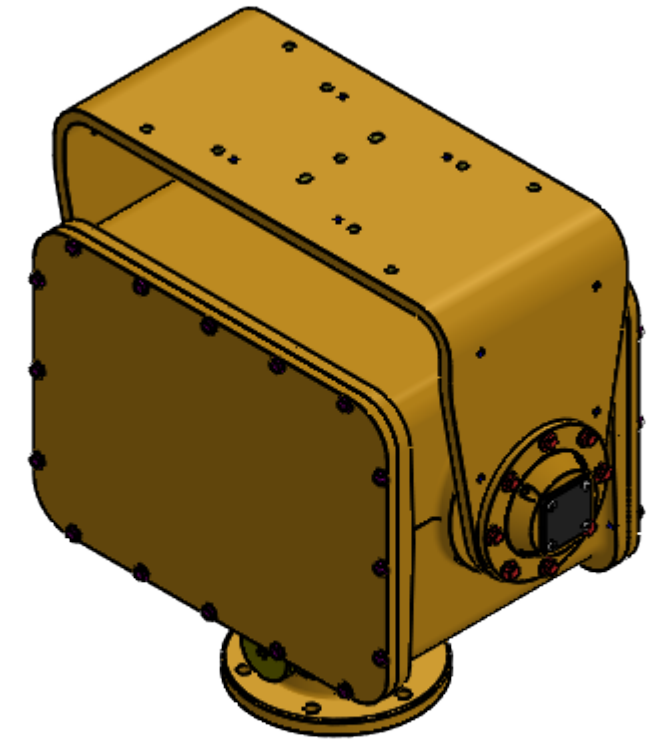
MODELS#: **8-PF133 (RF)**  
**8-PF151 (RF)**



MODEL#: **8-PA200 (STD)**



**REAR VIEW**



**VIEW E-E**

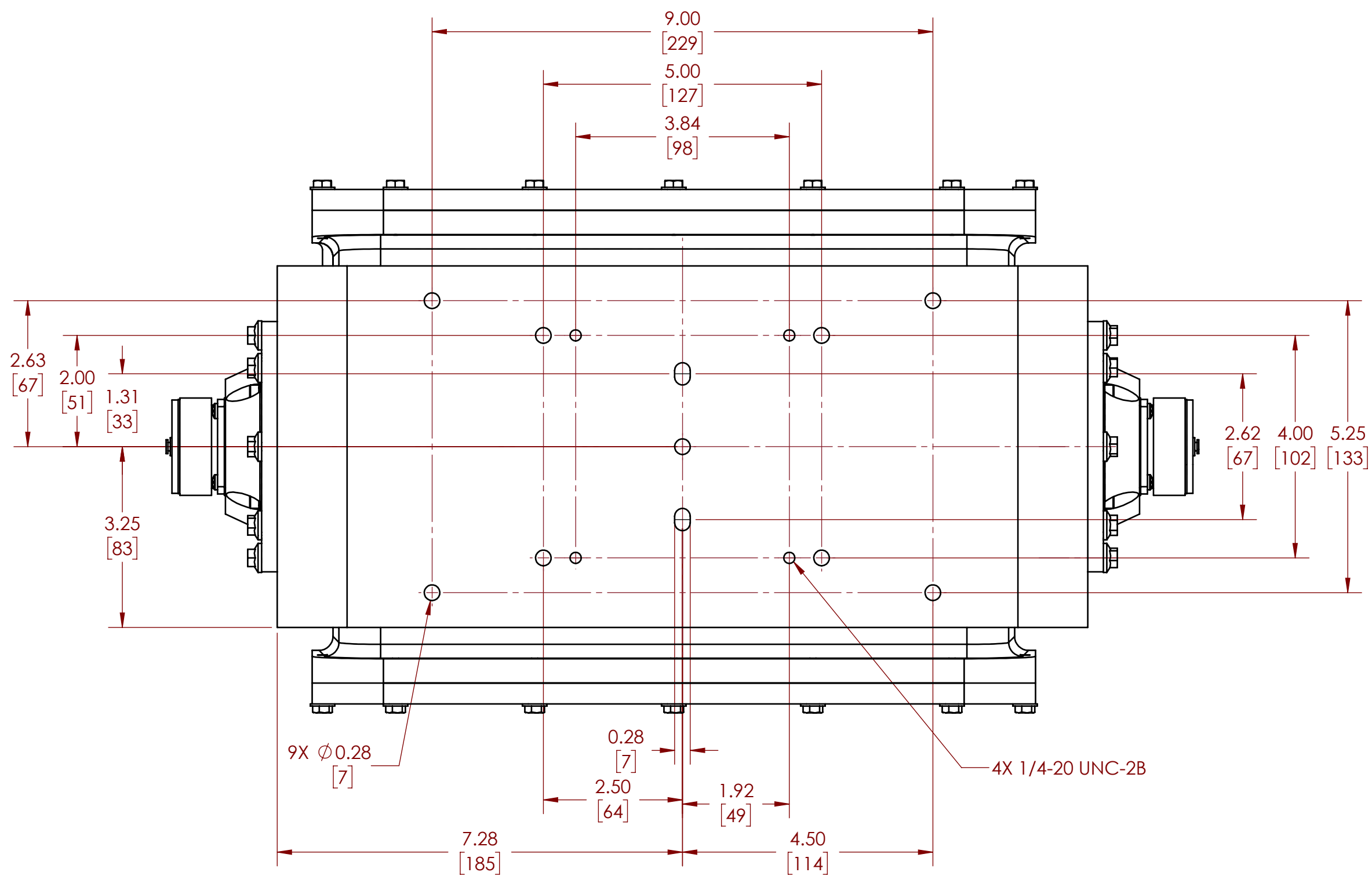
**QUICKSET**  
Defense Technologies, LLC

DWG NO: **CC36874**

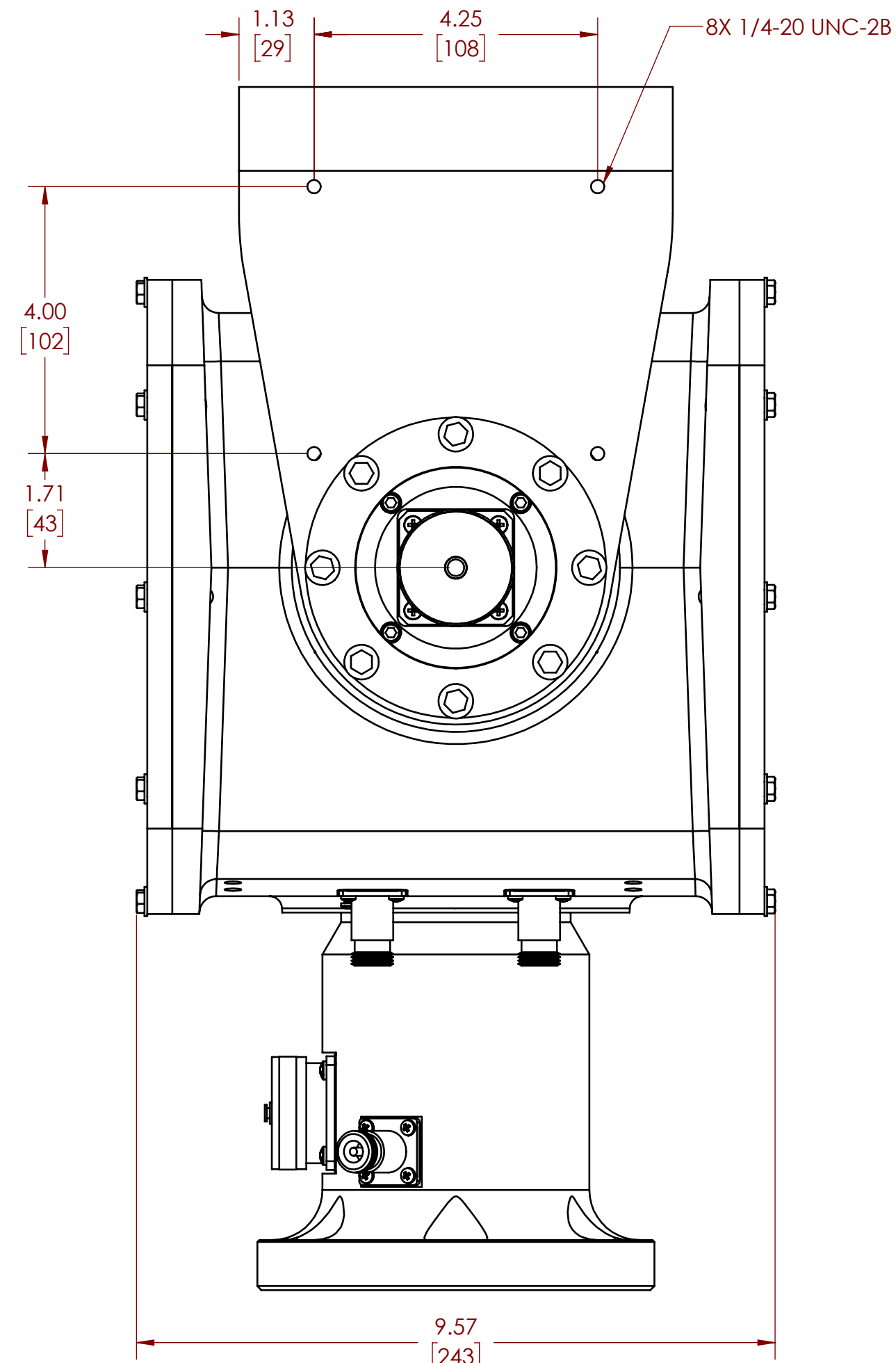
SIZE: C SHEET: 3 OF 4 REV: **D**

ALL MODELS

↑  
**FRONT**



**VIEW C-C**



**VIEW D-D**



DWG NO: **CC36874**  
SIZE: C SHEET: 4 OF 4 REV: **D**