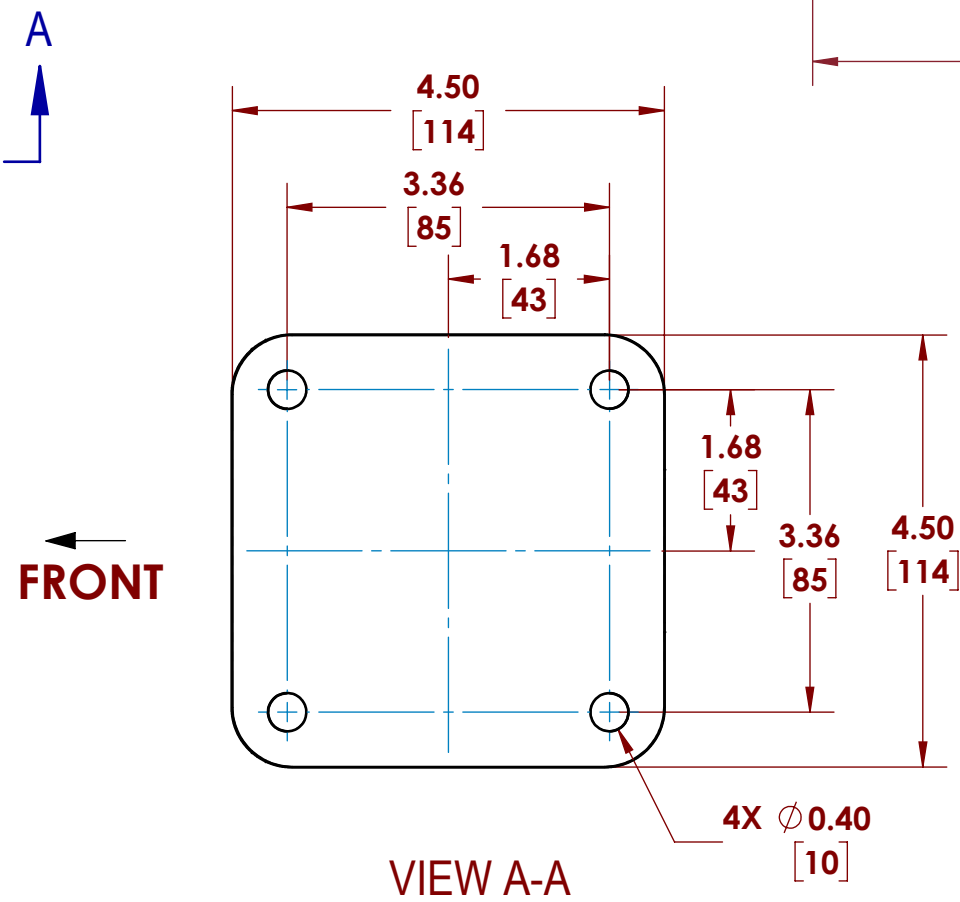
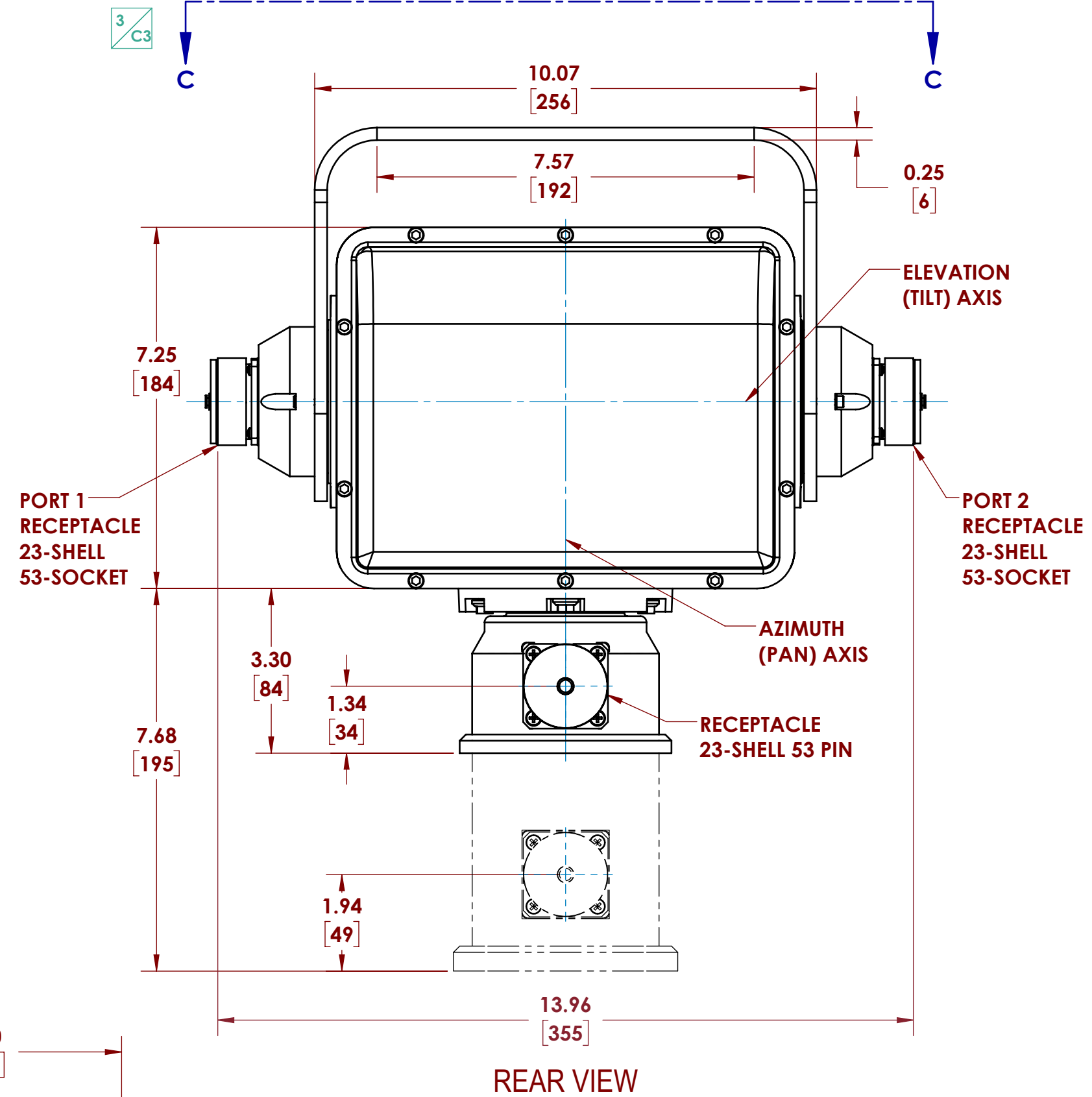
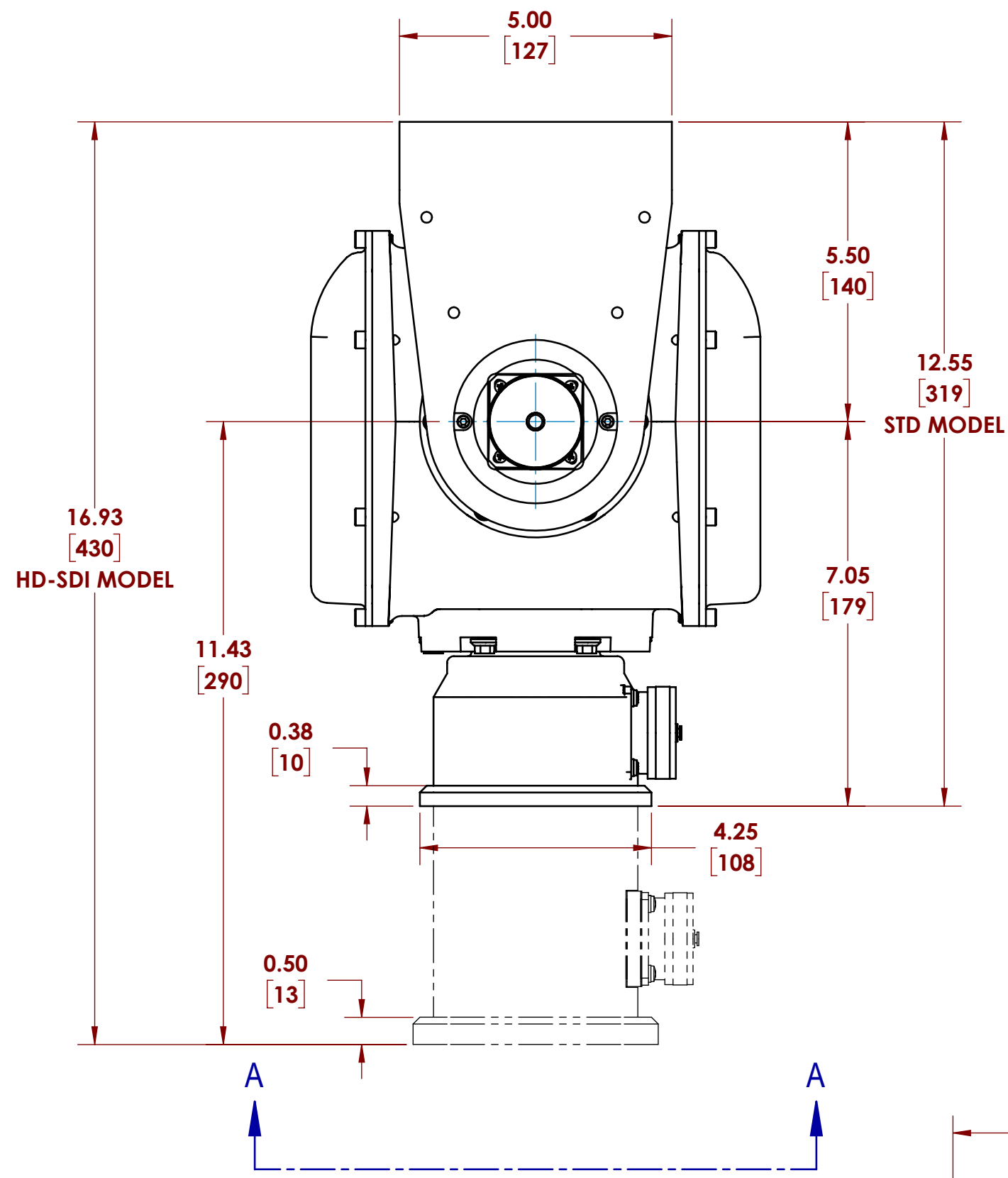
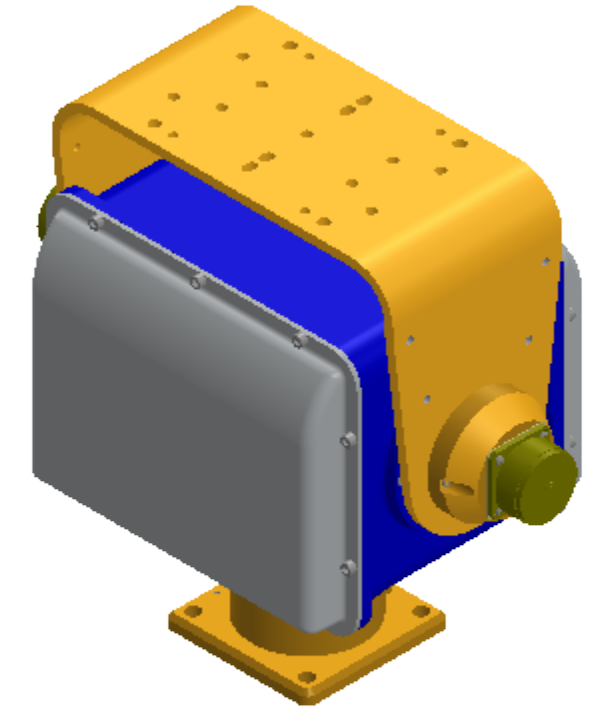


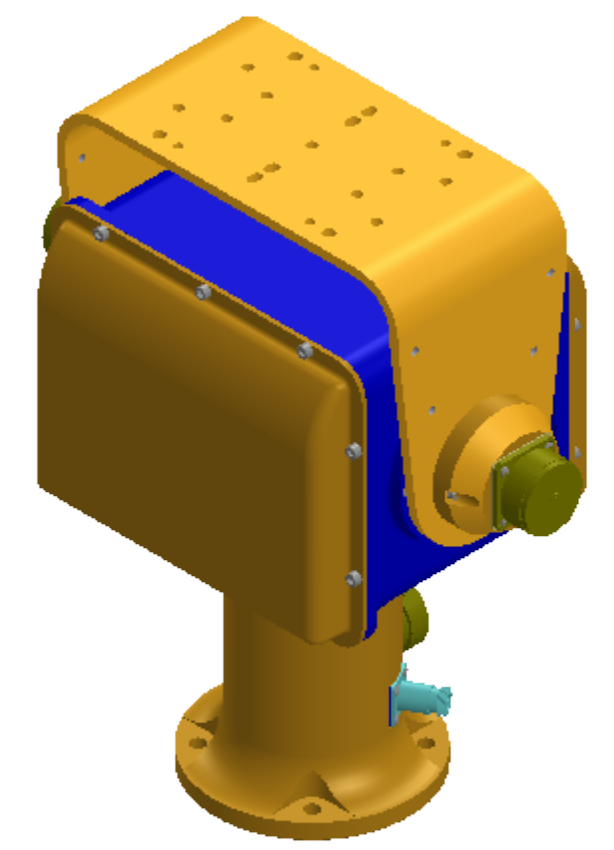
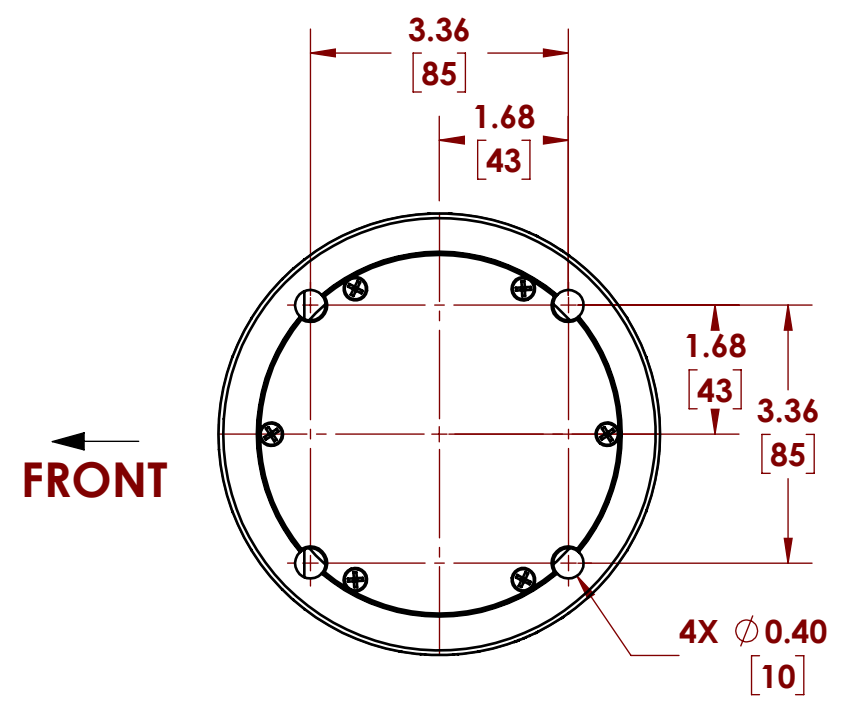
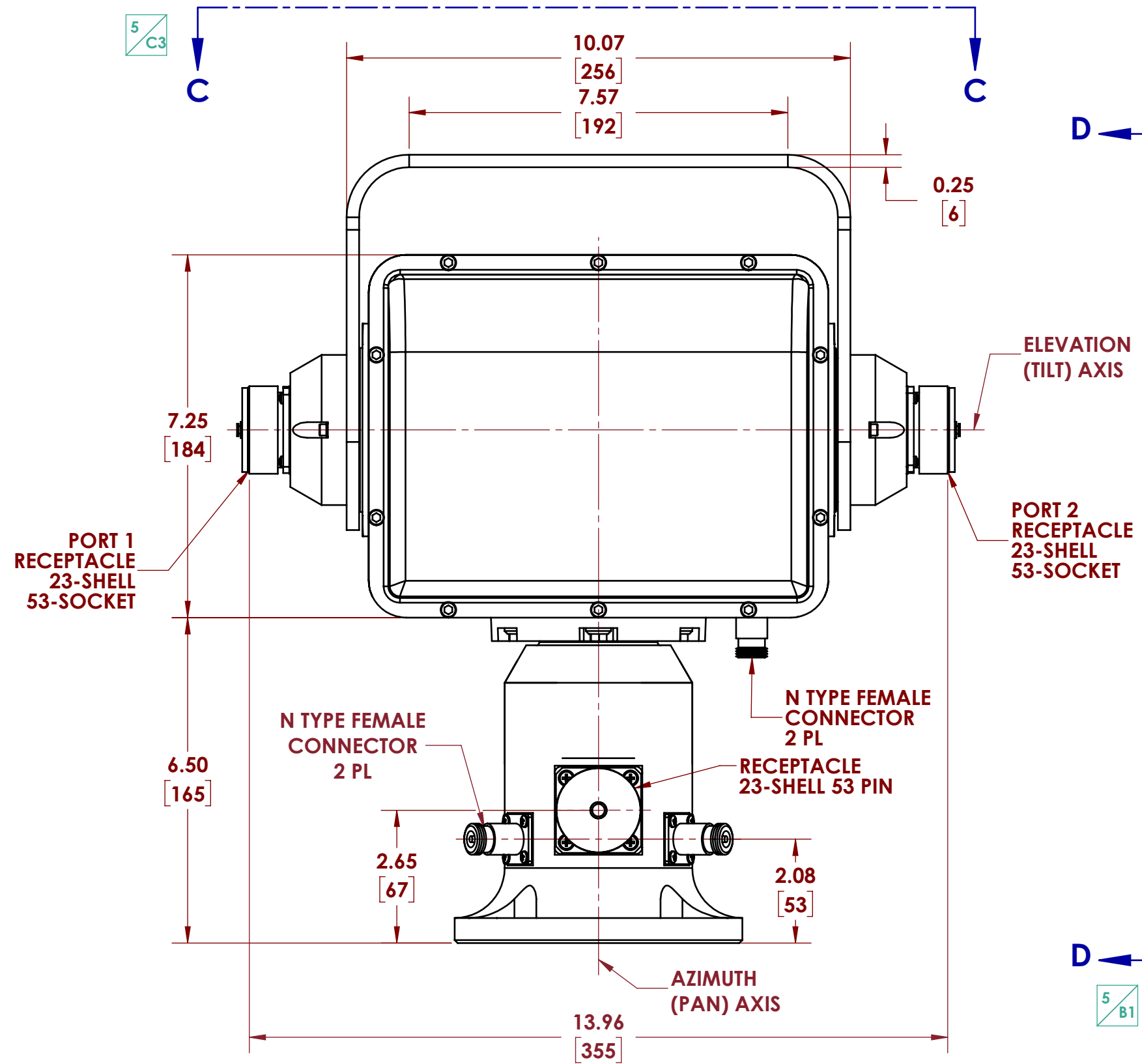
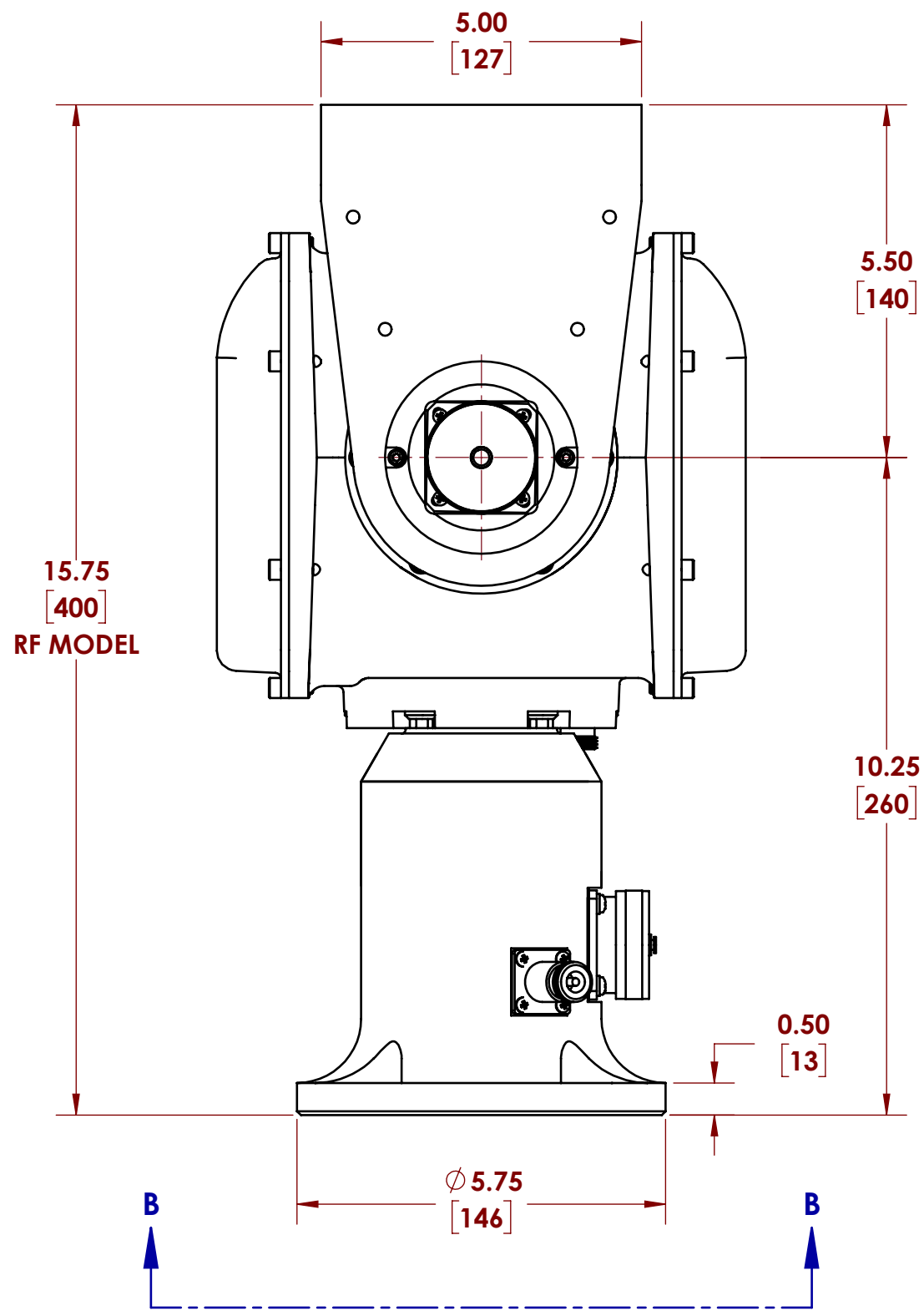
MODELS #: **8-JA166** (STD)
8-JB133 (STD)
8-JB151 (STD)
8-JC163 (HD-SDI)



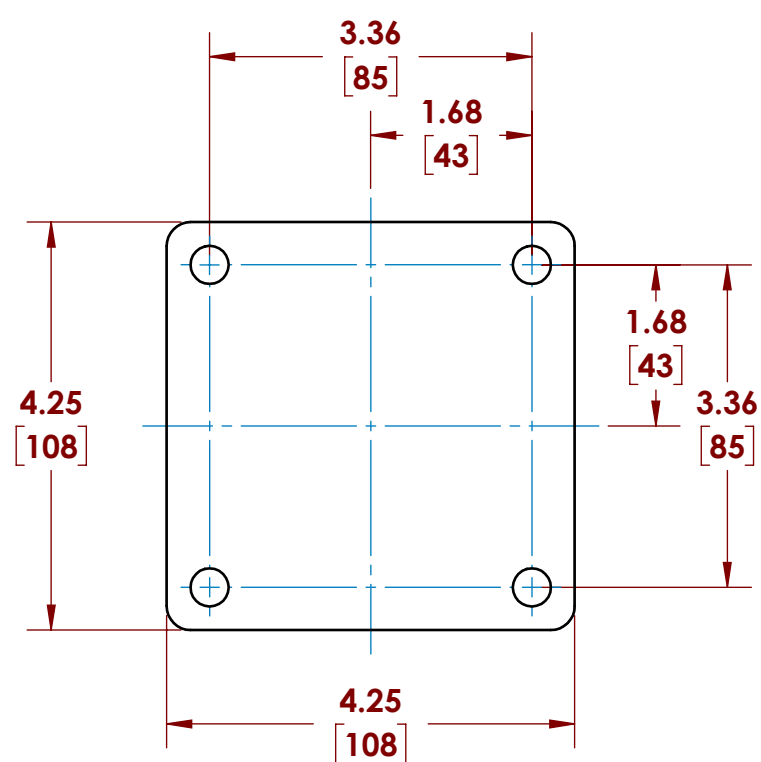
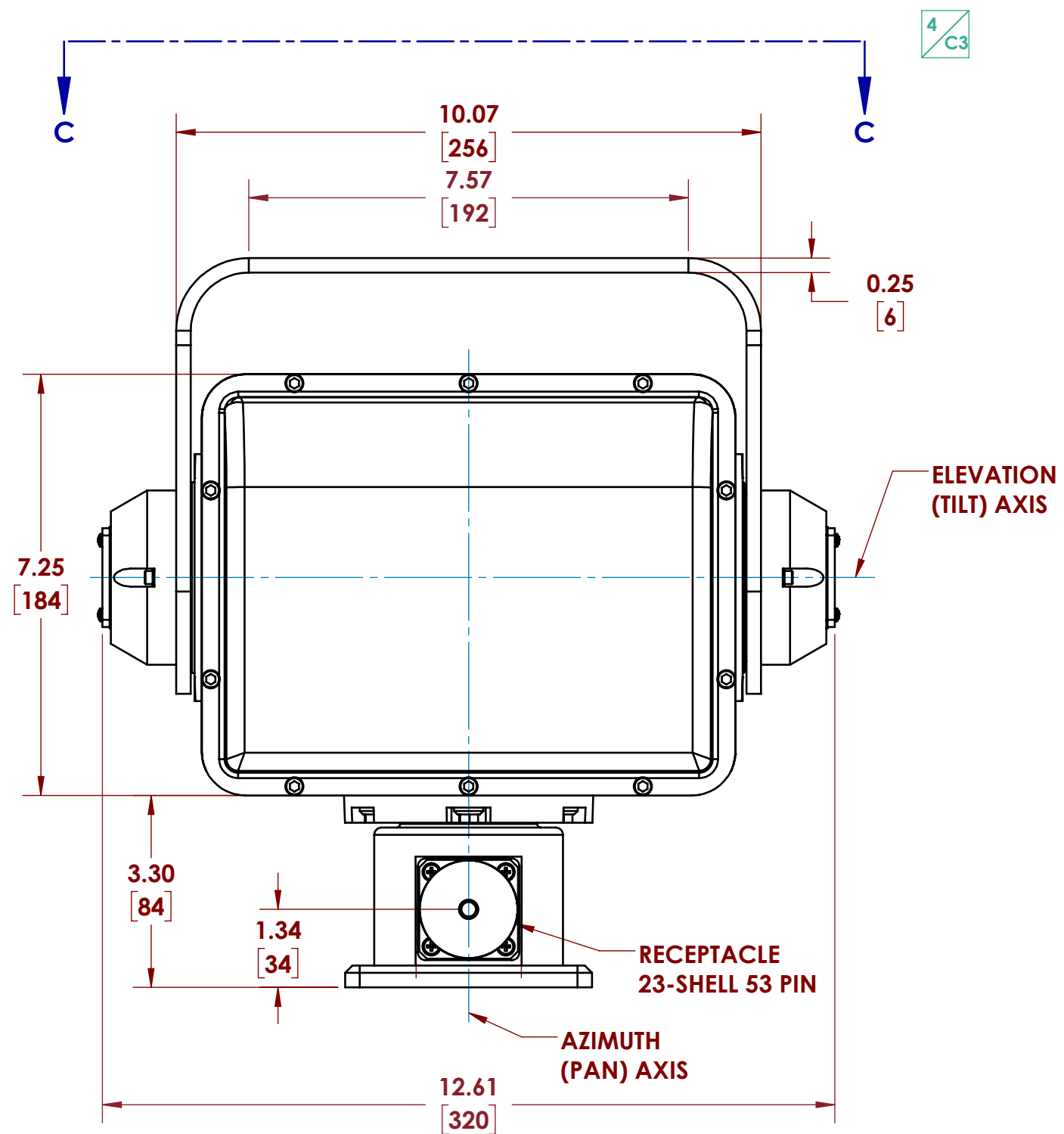
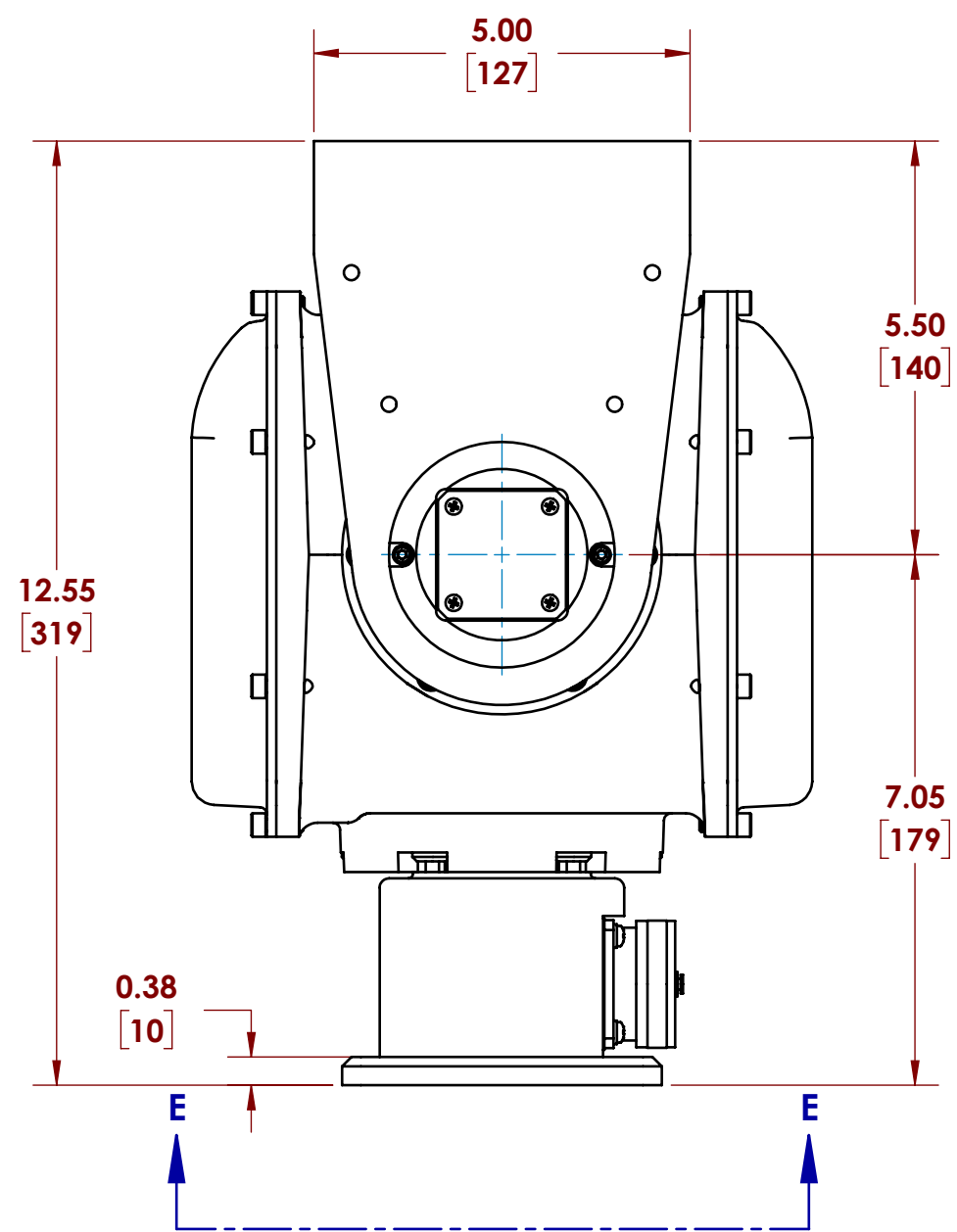
NOTES:
 1. ALL DIMENSIONS ARE REFERENCE ONLY

<p>THIRD ANGLE PROJECTION</p>	UNLESS OTHERWISE SPECIFIED	<p>Defense Technologies, LLC</p>		
	<p>THIS DRAWING AND THE INFORMATION HEREON ARE PROPERTY OF QUICKSET DEFENSE TECHNOLOGY LLC, AND MAY BE USED BY OTHERS ONLY AS AUTHORIZED BY QUICKSET. ALL RIGHTS RESERVED UNDER THE COPYING LAWS.</p> <p>This document contains technology subject to the U.S. Export Administration Regulations (EAR) and may not be exported or transferred by any means to any person, country, or company requiring a license or other authorization, or for end uses requiring a license, without prior written approval from the U.S. Department of Commerce, Bureau of Industry and Security (BIS). Diversion contrary to U.S. law is prohibited.</p>		<p>DESCRIPTION</p> <p>ICD, MECHANICAL MPT-50</p>	
<p>THIS DOCUMENT CONTAINS TECHNOLOGY SUBJECT TO THE U.S. EXPORT ADMINISTRATION REGULATIONS (EAR) AND MAY NOT BE EXPORTED OR TRANSFERRED BY ANY MEANS TO ANY PERSON, COUNTRY, OR COMPANY REQUIRING A LICENSE OR OTHER AUTHORIZATION, OR FOR END USES REQUIRING A LICENSE, WITHOUT PRIOR WRITTEN APPROVAL FROM THE U.S. DEPARTMENT OF COMMERCE, BUREAU OF INDUSTRY AND SECURITY (BIS). DIVERSION CONTRARY TO U.S. LAW IS PROHIBITED.</p>	<p>XX ± 0.03</p> <p>XX ± 0.01</p> <p>XXX ± 0.005</p> <p>ANGULAR ± 0.5°</p> <p>INSIDE CORNERS 0.030 MAX RAD</p> <p>EDGES 0.005 - 0.010 RAD OR CHAM</p> <p>SURFACE ROUGHNESS PER ASME Y14.36 & B46.1</p> <p>ALL DIMENSIONS ARE IN INCHES</p> <p>DRAWING NOT TO SCALE</p> <p>PART TO BE FREE OF BURRS</p>	<p>MATERIAL</p> <p>N/A</p>	<p>DWG NO</p> <p>CC43204</p>	
	<p>WEIGHT (lbs): 32.00</p>	<p>SIZE: C</p>	<p>SHEET: 1 OF 5</p>	<p>REV: E</p>

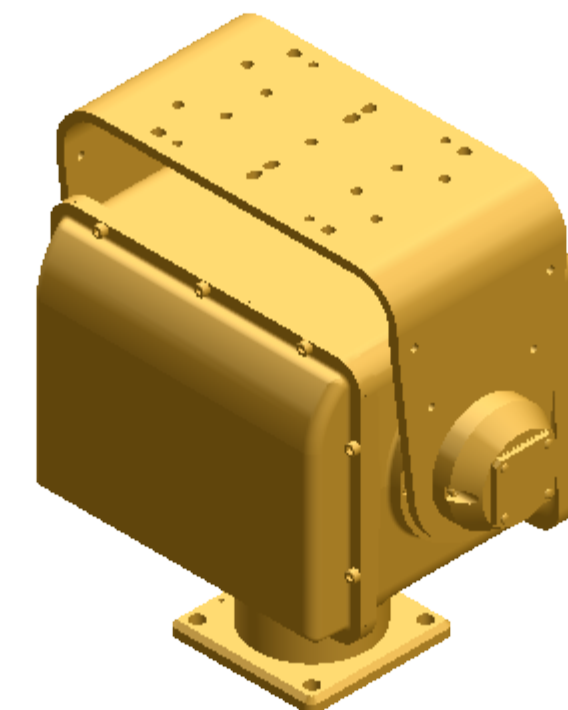
MODELS #: **8-JF133 (RF)**
8-JF151 (RF)



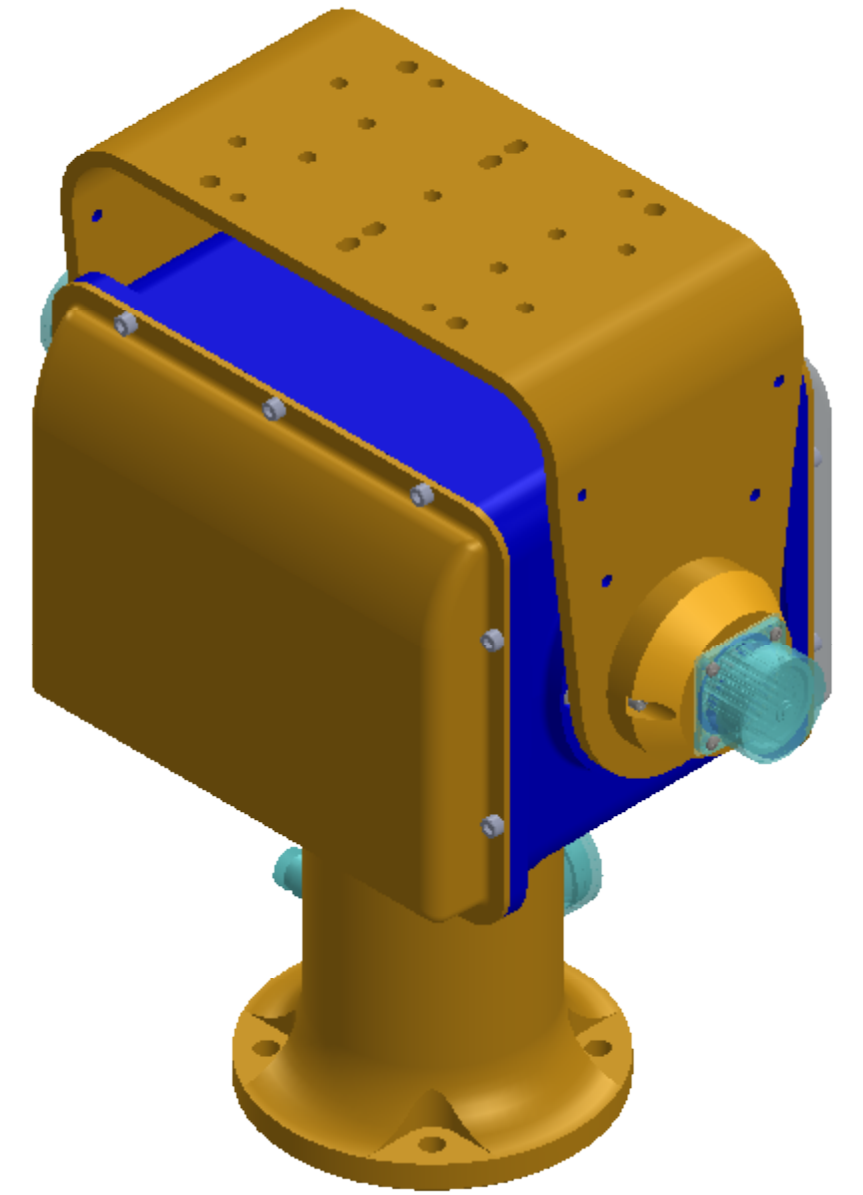
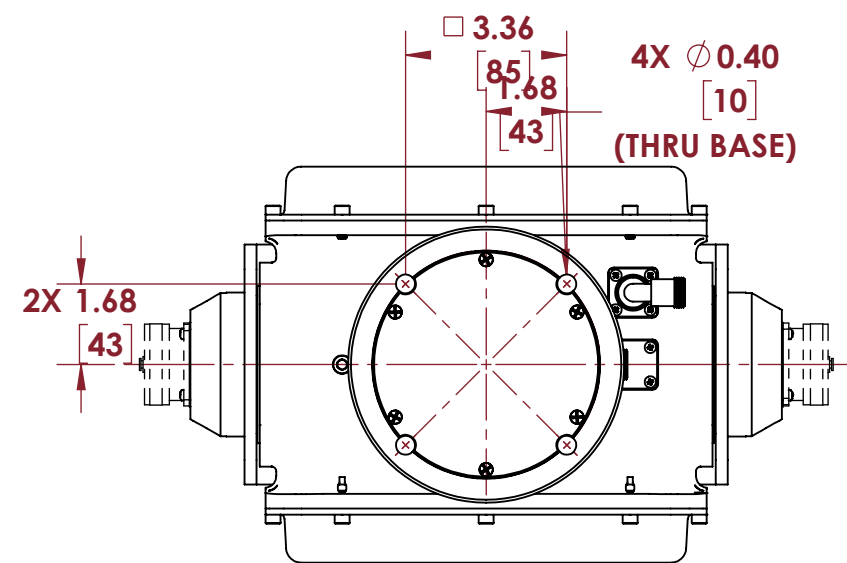
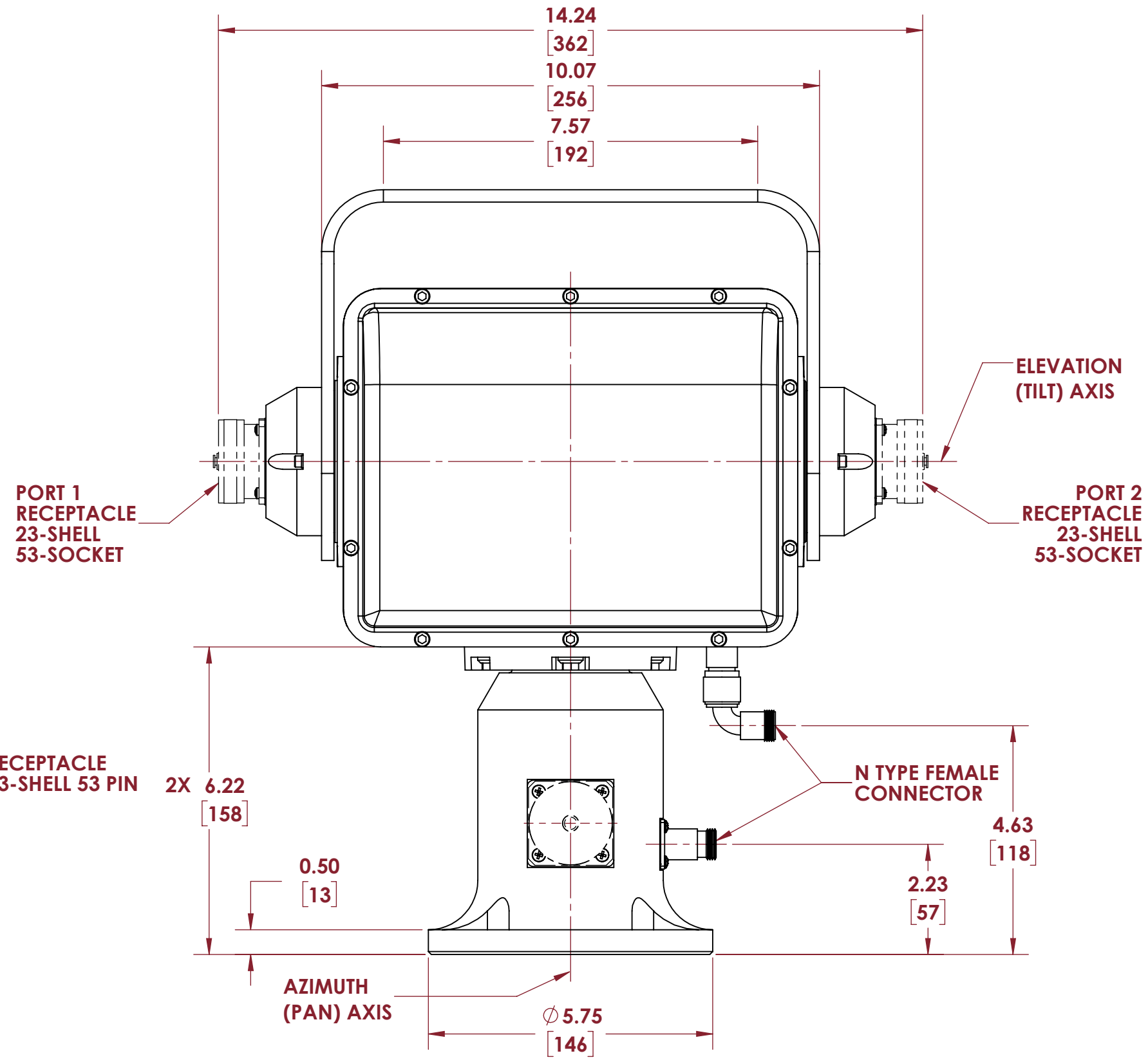
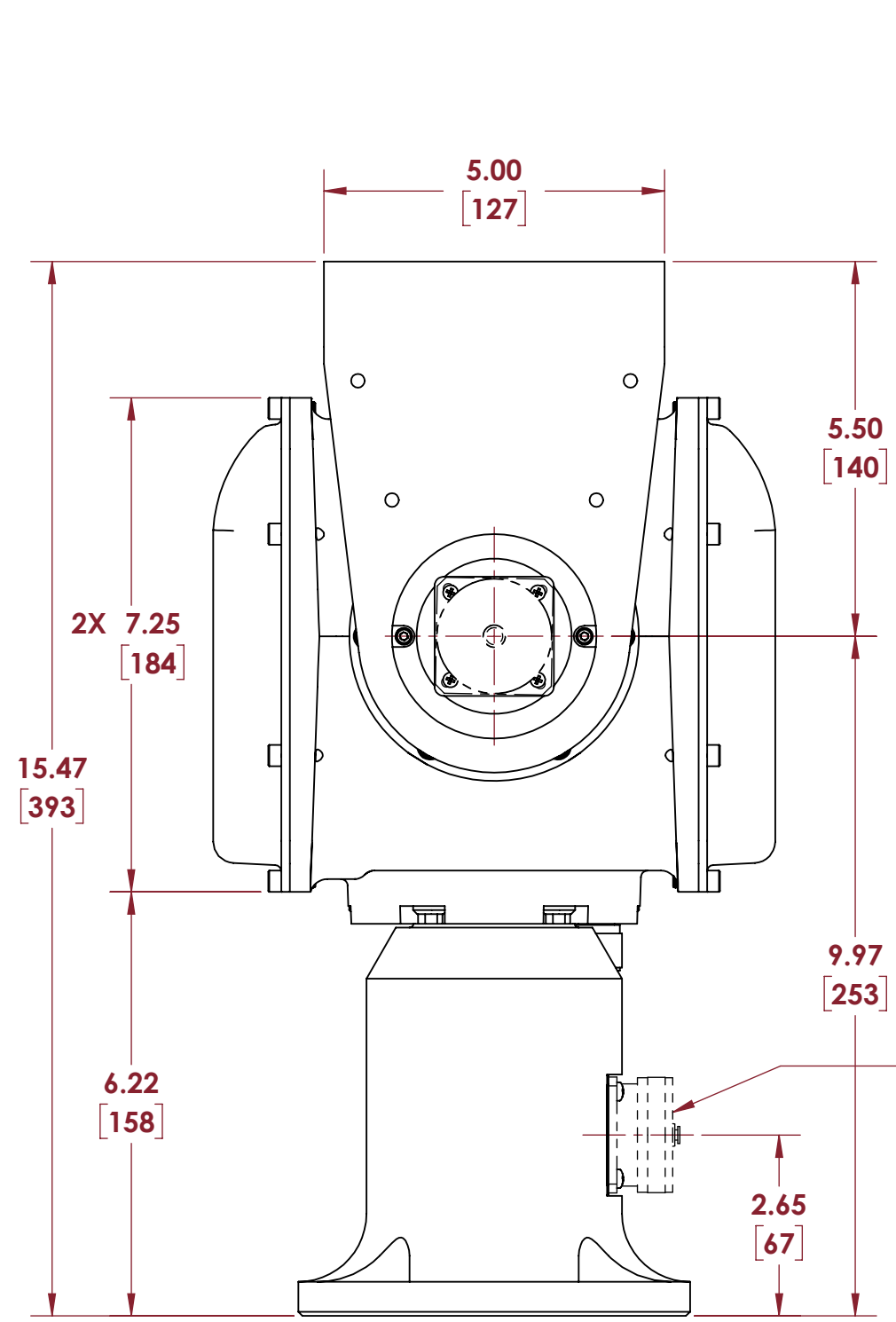
MODEL #: **8-JA200 (STD)**



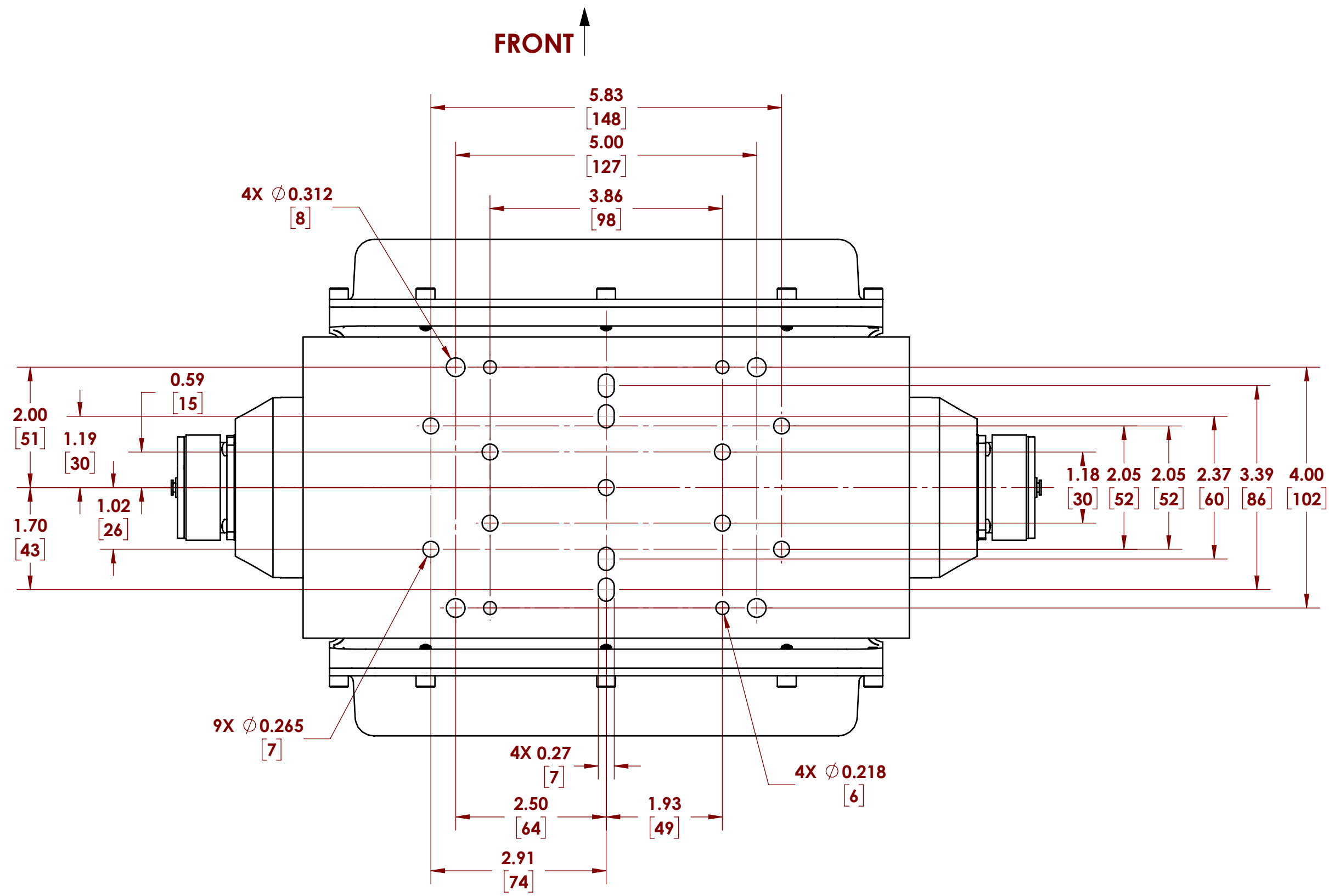
VIEW E-E



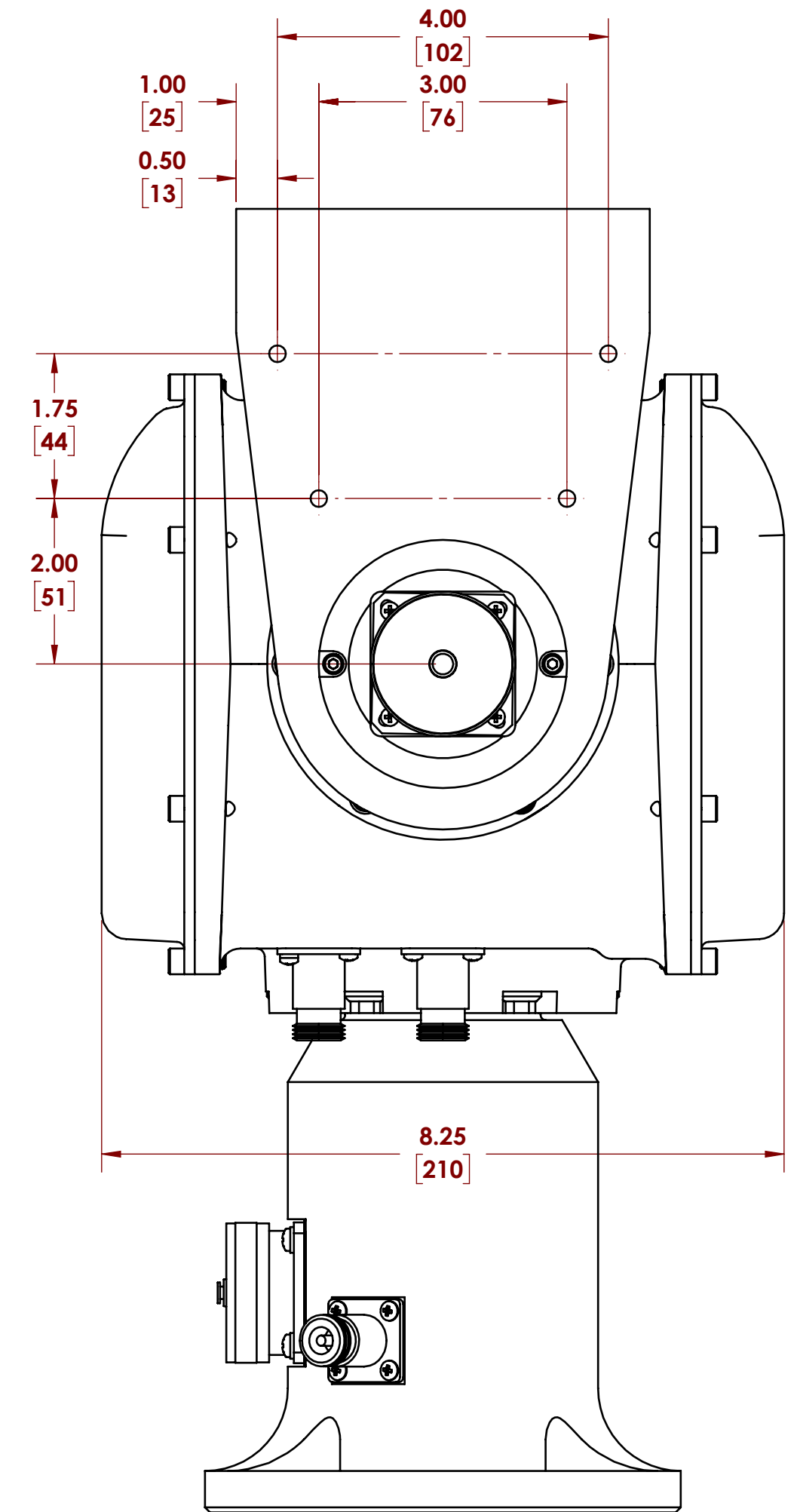
MODEL #: 8-JE151-18G (RF)



ALL MODELS



VIEW C-C



VIEW D-D



QUICKSET
Defense Technologies, LLC

DWG NO: **CC43204**

SIZE: C SHEET: 5 OF 5 REV: E